



Description

A 5 figure (reset) or 6 figure (non-reset), AC hour meter encased in a rugged steel housing and designed to mil-spec environmental requirements. The non-reset models are completely sealed, and meet NEMA 4 standards. Reset models are available, as are both wire lead and terminal block versions.

Features

- Rugged steel housing
- Mil-spec

Options

- Chrome bezel
- Readouts to 9999.99 hrs.
- Minute meter
- Voltages
- Gasket (721-0004)

Specifications

**Figures:** 5 figure (reset) or 6 figure (non-reset), 0.19" [5mm] high, 9,999.9 (reset) or 99,999.9 (non-reset)  
**Reset:** Reset or non-reset  
**Voltages:** 24, 115, and 230VAC (+/- 10%), 50 or 60Hz.  
**Power:** 2.5 watts (nominal)

**Mounting:** Panel (3-hole or metal clamp)  
**Termination:** Terminal block or 6" [152mm] wire leads  
**Temp. Range:** -65°F to +155°F [-54°C to +68°C]  
**Approvals:** UL Recognized, CSA Certified, CE Compliant  
**Weight:** 10 oz. [284g]

Models Description

<b>720-0001</b>	24VAC/60Hz, non-reset, 3-hole round, 6" [152.4mm] wire leads
<b>720-0003</b>	115VAC/60Hz, M3971/2-1 and M3971/2-5
<b>720-0004</b>	115VAC/60Hz, non-reset, 3-hole round, terminal block
<b>720-0007</b>	115VAC/60Hz, non-reset, 3-hole round, 6" [152.4mm] wire leads
<b>720-0008</b>	115VAC/60Hz, non-reset, metal clamp, terminal block

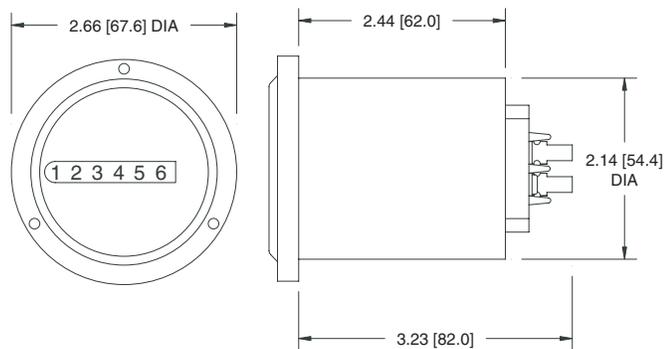
Models Description

<b>720-0011</b>	115VAC/60Hz, non-reset, metal clamp, 6" [152.4mm] wire leads
<b>720-0012</b>	115VAC/60Hz, front reset, 3-hole round, 6" [152.4mm] wire leads
<b>720-0030</b>	115VAC/50Hz, non-reset, 3-hole round, 6" [152.4mm] wire leads
<b>720-0031</b>	230VAC/60Hz, non-reset, 3-hole round, terminal block
<b>720-0036</b>	230VAC/60Hz, non-reset, 3-hole round, 6" [152.4mm] wire leads

\* Items in bold are normally in factory stock.

Dimensions

Non-Reset / Terminal Block



Panel cutout: 2.16" [54.9] Dia.  
 Mounting holes: 0.125" [3.2] Dia. on 2.44" [62.0] B.C.

Applications

Control panels



Industrial equipment



Test equipment





**Description**

The Redington meters, one for Round and 3-Hole Round. Models 722-0001 and 722-0002 fit a panel opening of 1.45" X 0.95" [36.8mm X 24.1mm]. The Flush-Round Model 722-0003 and 3-Hole The Totally Sealed case protects against the environment and provides years of reliable service. Model 722-0004, 3-Hole mount, is NEMA 4X,12 rated when mounted with optional gasket.

**Features**

- Operating voltage 90-240VAC 50/60Hz
- Totally sealed
- UL/CSA Recognized, CE Compliant
- 6 Figure, 99999.9
- Quartz accuracy

**Options**

- Wire leads
- 3-hole mount gasket kit (part# 5003-007S) (for NEMA 4X, 12 rating)

**Specifications**

**Figures:** 6 - digits, 0.125" [3.2mm] 99999.9  
 Hours - white on black  
 Tenths - red on white

**Reset:** Non-reset

**Voltage:** 90-240VAC (± 10%)

**Frequency:** 50/60Hz

**Power:** Less than 0.6 watts

**Mounting:** Clip or mounting holes

**Termination:** ¼" [6.3mm] spade terminals

**Weight:** 2 oz [57 g]

**Accuracy:** ± 0.02 over entire range

**Case Material:** Black polymer

**Agency Approvals:** UL/CSA Recognized, CE Compliant

**Environmental:** Totally sealed (all models)  
 Model: 722-0004, NEMA 4X, 12 rated with optional gasket (part# 5003-007S)

**Front Panel:**

**Temperature:** -40°F to +185°F [-40°C to + 85°C]

**Vibration:** 10-75 Hz @ 1 to 8g's

**Models Description**

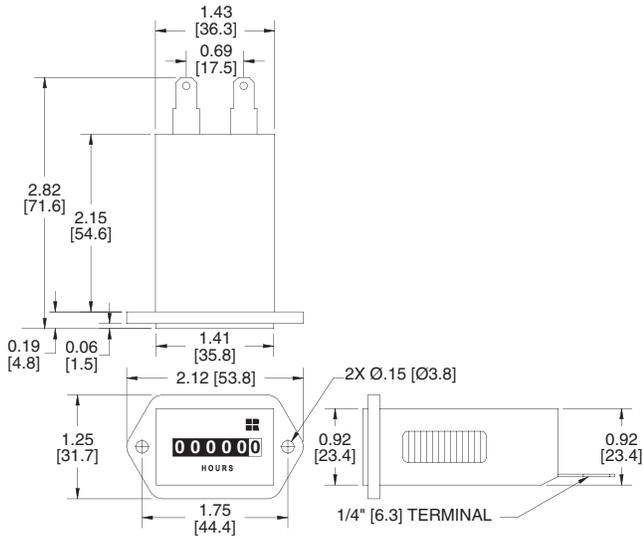
<b>722-0001</b>	2-Hole Rectangular, 90-240VAC 50/60Hz, ¼" [6.3mm] spade terminals, hours & 1/10's
<b>722-0002</b>	Flush-Rectangular, 90-240VAC 50/60Hz, ¼" [6.3mm] spade terminals, hours & 1/10's
<b>722-0003</b>	Flush-Round, 90-240VAC 50/60Hz, ¼" [6.3mm] spade terminals, hours & 1/10's
<b>722-0004</b>	3-Hole Round, 90-240VAC 50/60Hz, ¼" [6.3mm] spade terminals, hours & 1/10's
<b>5003-007S</b>	NEMA 4X, 12 Gasket kit and hardware for 3-Hole Round model (722-0004)

\* All items are normally in factory stock



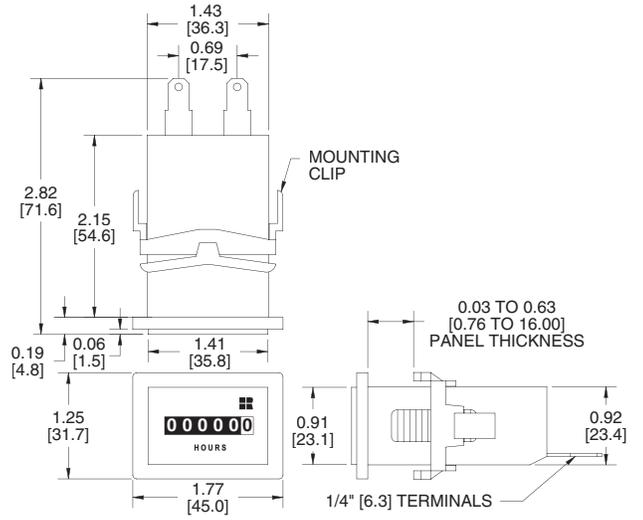
Dimensions

2-Hole



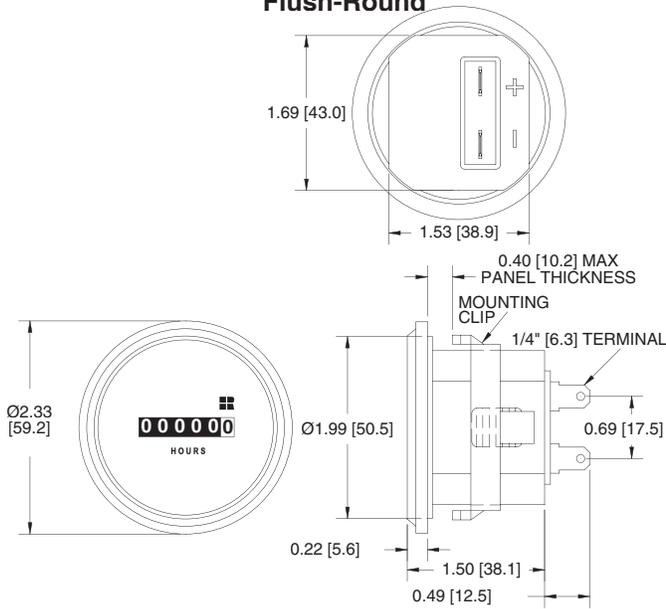
Panel Opening: 1.45" X 0.95" [36.8 X 24.1]

Flush-Rectangular



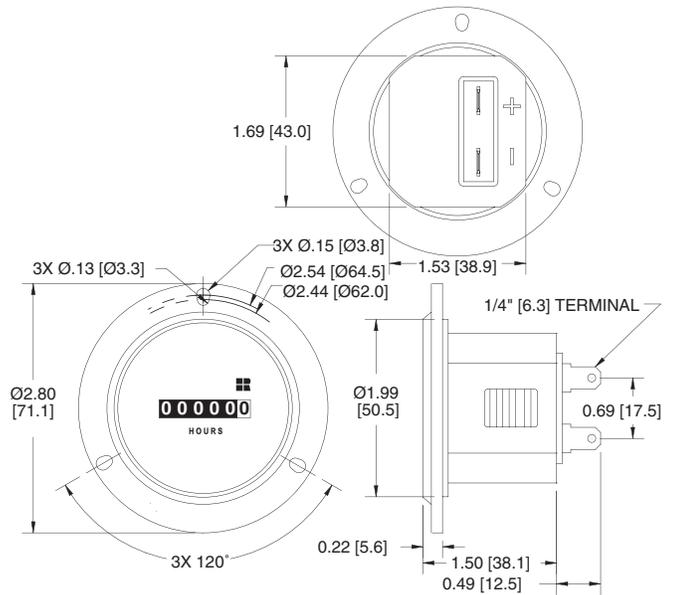
Panel Opening: 1.45" X 0.95" [36.8 X 24.1]  
Panel Thickness: 0.03 to 0.63 [0.76 to 16.00]

Flush-Round



Panel Opening: 2.0" [50.6]  
Panel Thickness: 0.40 [10.2] Max.

3-Hole Round



Panel Opening: 2.0" [50.6]

Applications

Medical Equipment



Test Equipment



Office Equipment





Description

The Redington Model 732 is available in 3-Hole Round, Flush-Rectangular, Flush-Round and 2-Hole Rectangular. Models 732-0002 and 732-0004 fit a panel opening of 1.45" X 0.95" [36.8mm X 24.1mm]. The Flush-Round Model 732-0003 and 3-Hole Model 732-0001 fit a panel opening of 2.0" [50.6mm]. Its quartz time base insures accurate long-term time keep...

Features

- Operating voltage 10-80VDC
Totally sealed
UL/CSA Recognized, CE Compliant
6 Figure, 99999.9
Quartz accuracy

Options

- Wire leads
3-hole mount gasket kit (part# 5003-007S) (for NEMA 4X, 12 rating)

Specifications

Figures: 6 - digits, 0.125" [3.2mm] 99999.9
Hours - white on black
Tenths - red on white
Reset: Non-reset
Voltage: 10-80VDC
Power: 0.3 watts @ 12VDC
Mounting: Clip or mounting holes
Termination: 1/4" [6.3mm] spade terminals
Weight: 2.0 oz [57 g]

Accuracy: ± 0.02 over entire range
Case Material: Black polymer
Agency Approvals: UL/CSA Recognized, CE Compliant
Environmental: Totally sealed (all models)
Front Panel: Model: 732-0001, NEMA 4X, 12 rated with optional gasket (part# 5003-007S)
Temperature: -40°F to +185°F [-40°C to + 85°C]
Vibration: 10-75 Hz @ 1 to 8g's

Models Description

Table with 4 columns: Model, Mounting Style, Voltage, and Terminals. Rows include 732-0001 (3-Hole Round), 732-0002 (Flush-Rectangular), 732-0003 (Flush-Round), and 732-0004 (2-Hole Rectangular).

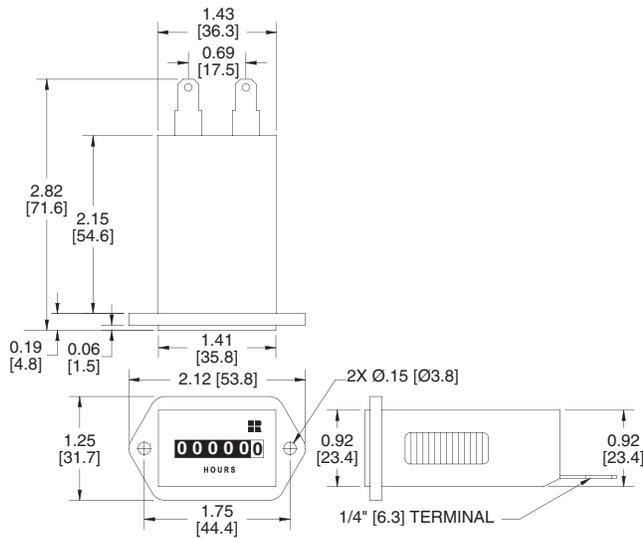
5003-007S NEMA 4X, 12 Gasket kit and hardware for 3-Hole Round model (732-0001)

\* All items are normally in factory stock.



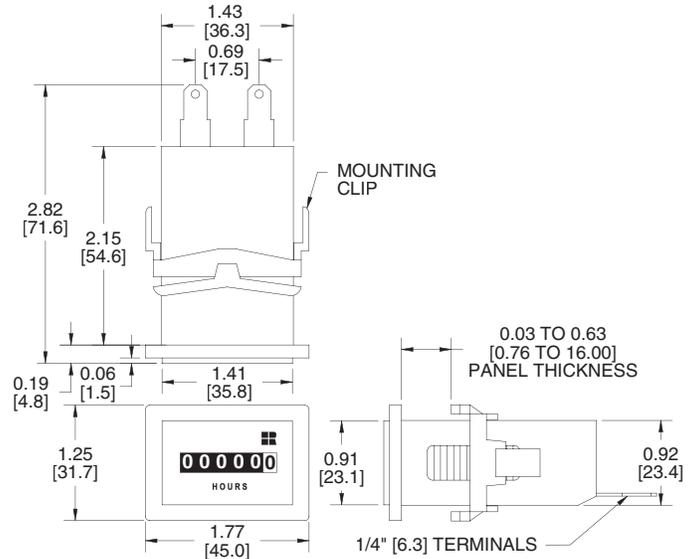
Dimensions

2-Hole



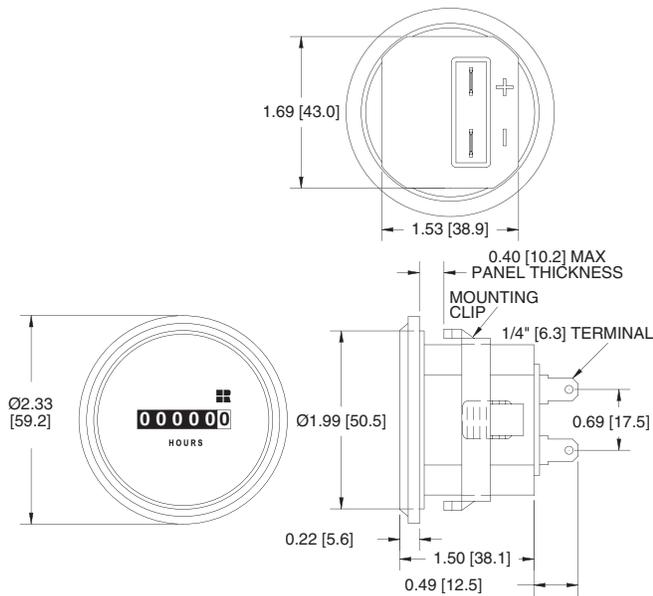
Panel Opening: 1.45" X 0.95" [36.8 X 24.1]

Flush-Rectangular



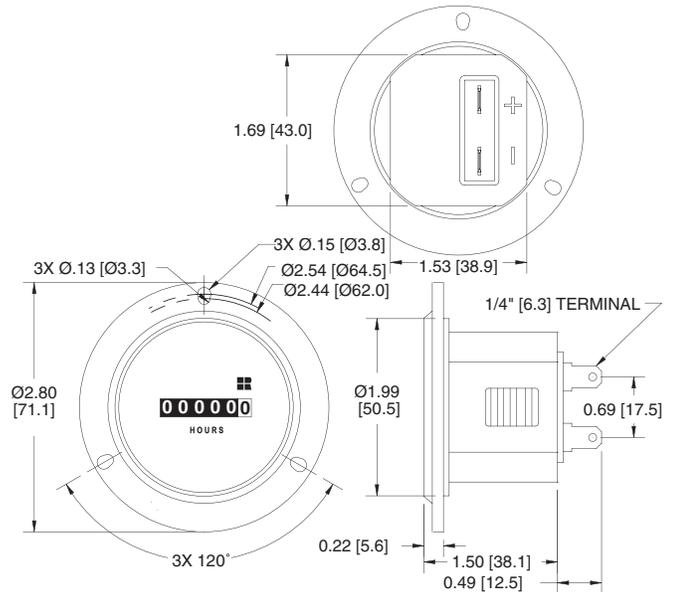
Panel Opening: 1.45" X 0.95" [36.8 X 24.1]  
Maximum Panel Thickness: 0.03 to 0.63 [0.76 to 16.00]

Flush-Round



Panel Opening: 2.0" [50.6]  
Maximum Panel Thickness: 0.40 [10.2]

3-Hole Round



Panel Opening: 2.0" [50.6]

Applications

Medical Equipment



Outdoor power equipment



Utility Vehicles





**Description**

The Model 77 is a compact, non-reset, 6 figure, 99999.9, electromechanical hour meter. Available with several mounting styles, panel, behind the panel and "snap-in" mount. Products are UL Recognized, CSA Certified and CE Compliant.

**Features**

- Panel or snap-in mount
- Compact size
- Non-reset

**Options**

- Voltage
- Frequency
- Mounting

**Specifications**

**Figures:** 6 figures, 0.11" [3mm] high  
99,999.9 hours

**Reset:** Non-reset

**Voltages:** 115VAC, (+/- 10%) 60Hz.

**Power:** 3 watts (nominal)

**Mounting:** Panel (front, behind, or snap-in)

**Termination:** Screw type, round terminals

**Temp. Range:** -60°F to +154°F [-51°C to +68°C]

**Approvals:** UL Recognized, CSA Certified, CE Compliant

**Weight:** 2.5 oz. [71g]

**Models Description**

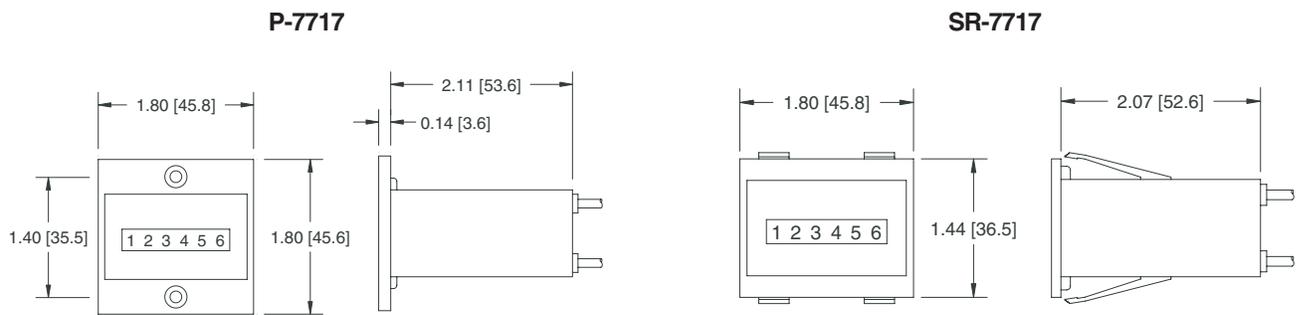
P2-7717/60 115VAC/60Hz, non-reset, panel mount

R2-7717/60 115VAC/60Hz, non-reset, behind the panel mount

**Models Description**

SR2-7717/60 115VAC/60Hz, non-reset, snap-in mount

**Dimensions**



Panel cutout: 1.72" x 1.05" [43.7 x 26.7]  
Mounting holes: For #5 flat head screw

Panel cutout: 1.68" x 1.31" [42.7 x 33.3]

**Applications**

Test equipment



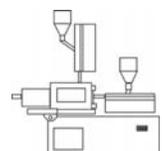
Control panels



Office machines



Industrial equipment





Description

A compact, economical, 6 or 7 figure, non-reset, electromechanical counter designed for general purpose industrial and commercial counting applications. It is designed for a variety of mounting methods as required by the application. Commonly used for coin-operating equipment, photocopiers and vending machines.

Features

- 6 or 7 figure
- Compact
- Non-reset
- Variety of mounting options

Options

- Voltages
- Lead lengths
- 5 figure

Specifications

**Figures:** 6 or 7 figures, white on black, 0.17" [4.3mm] high  
**Reset:** None  
**Speed:** 1,000 counts/minute AC, (min. 30ms - on, 30ms - off)  
 1,200 counts/minute DC, (min. 25ms - on, 25ms - off)  
**Power:** AC: 24VAC ~ 4 watts  
 115VAC ~ 3.5 watts  
 230VAC ~ 5 watts  
 DC: 12/24VDC ~ 2 watts

**Mounting:** Panel or base  
**Terminations:** (2) #22 AWG 105°C wire leads, 12" [305mm] long  
**Operating Life:** Beyond 10 million counts  
**Temp. Range:** -15°F to +140°F [-26°C to +60°C]  
**Approvals:** UL Recognized, CSA Certified, CE Compliant  
**Weight:** 3.5 oz. [99g]

Models	Description	Models	Description
<b>P2-4816</b>	115VAC, 6 figures, P panel mount	D8-4817	24VDC, 7 figures, D base mount
P8-4816	24VDC, 6 figures, P panel mount	P2-4817	115VAC, 7 figures, P panel mount
R2-4816	115VAC, 6 figures, R panel mount	P8-4817	24VDC, 7 figures, P panel mount
SR2-4816	115VAC, 6 figures, SR panel mount	R8-4817	24VDC, 7 figures, R panel mount
SR8-4816	24VDC, 6 figures, SR panel mount	SR8-4817	24VDC, 7 figures, SR panel mount
V1-4816	230VAC, 6 figures, V base mount	V2-4817	115VAC, 7 figures, V base mount
<b>V2-4816</b>	115VAC, 6 figures, V base mount	V8-4817	24VDC, 7 figures, V base mount
V3-4816	24VAC, 6 figures, V base mount		
V8-4816	24VDC, 6 figures, V base mount		
V9-4816	12VDC, 6 figures, V base mount		

\* Items in bold are normally in factory stock.

Applications

Control panels



Gaming machines



Vending machines



Coin-operated equipment



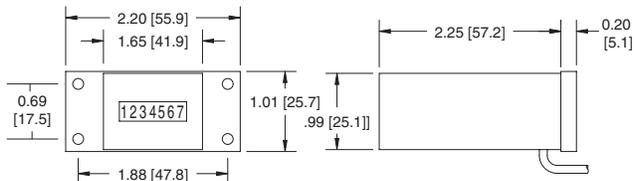
Photocopiers





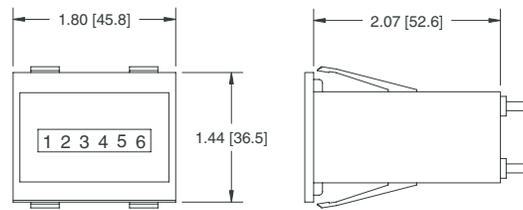
Dimensions

D - Mount



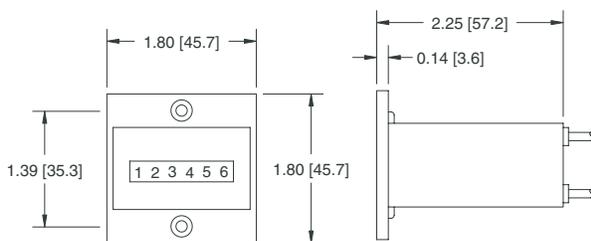
Mounting holes: 0.15" [3.8] Dia.

SR - Mount



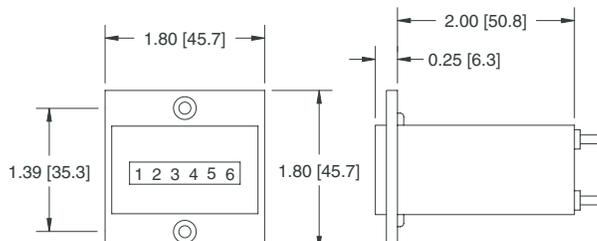
Panel cutout: 1.67" x 1.29" [42.4 x 32.8mm]  
Recommended panel thickness: 0.04" to 0.08" [1.0 to 2.0mm]

P - Mount



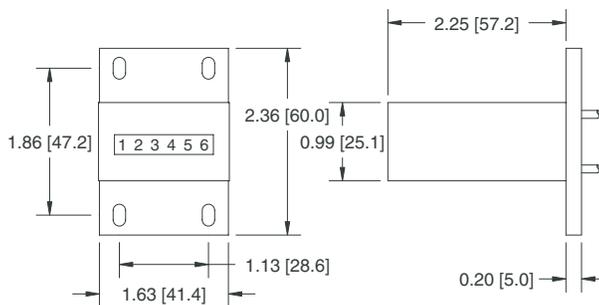
Mounting holes: For #5 flat head screw  
Panel cutout: 1.72" x 1.05" [43.7 x 26.7mm]

R - Mount



Mounting holes: For #5 flat head screw  
Panel cutout: 1.72" x 1.05" [43.7 x 26.7mm]

V - Mount



Mounting holes: 0.16" x 0.28" [4.1 x 7.1mm] slots



**Description**

Economically priced 4 and 6 figure push-button reset, electromechanical counter designed for use where limited space is a factor and when reliability is critical. Rugged operating mechanisms require no lubrication or maintenance. Compact size and minimum space requirements make the Model 49 ideally suited for use in control panels, business machines, and test equipment.

**Features**

- Compact
- No maintenance
- Quick reset

**Options**

- Voltages
- Extended temperatures
- 4 or 6 figure

**Specifications**

**Figures:** 4 or 6 figures, white on black, 0.16" [4mm] high  
**Reset:** Push-button  
**Speed:** 600 counts/minute  
 (min. 50ms - on, 50ms - off)  
**Voltages:** 115VAC, 24VDC  
 (+10% to - 15%)  
**Power:** AC: 115VAC ~ 3 watts  
 DC: 24VDC ~ 2 watts

**Mounting:** Panel, base, or bail  
**Termination:** (2) #22 AWG 105°C wire leads, 10" [254mm] long  
**Operating Life:** Beyond 100 million counts  
**Temp. Range:** -15°F to +140°F [-26°C to +60°C]  
**Approvals:** UL Recognized, CE Compliant  
**Weight:** 4 oz. [113g] (4 fig.), 5 oz. [142g] (6 fig.)

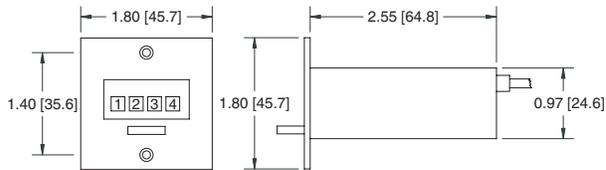
Models	Description	Models	Description
B2-4904	115VAC, 4 figure, bail mount	B2-4906	115VAC, 6 figure, bail mount
B8-4904	24VDC, 4 figure, bail mount	B8-4906	24VDC, 6 figure, bail mount
<b>D2-4904</b>	115VAC, 4 figure, base mount	D2-4906	115VAC, 6 figure, base mount
<b>P2-4904</b>	115VAC, 4 figure, panel mount	<b>P2-4906</b>	115VAC, 6 figure, panel mount
<b>P8-4904</b>	24VDC, 4 figure, panel mount	<b>P8-4906</b>	24VDC, 6 figure, panel mount
P9-4904	12VDC, 4 figure, panel mount	P9-4906	12VDC, 6 figure, panel mount

\* Items in bold are normally in factory stock.



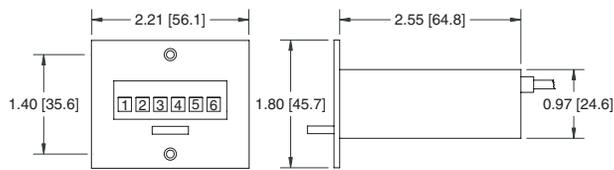
Dimensions

Panel Mount - 4 Figure



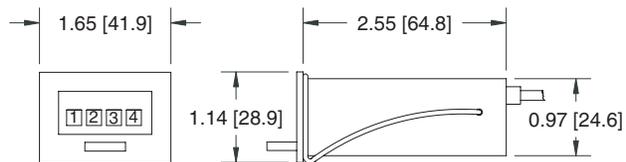
Panel cutout: 1.46" x 1.01" [37.1 x 25.7mm]  
Mounting holes: For #4 flat head screw

Panel Mount - 6 Figure



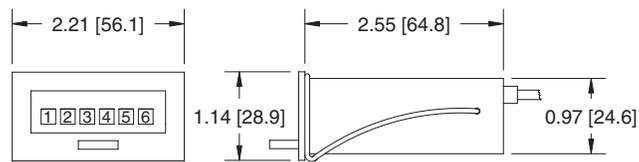
Panel cutout: 2.00" x 1.01" [50.8 x 25.7mm]  
Mounting holes: For #4 flat head screw

Bail Mount - 4 Figure



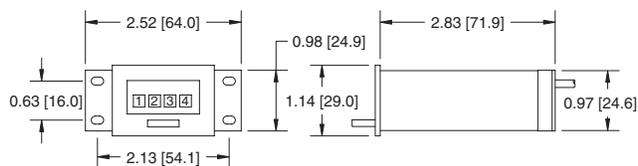
Panel cutout: 1.46" x 1.01" [37.1 x 25.7mm]

Bail Mount - 6 Figure



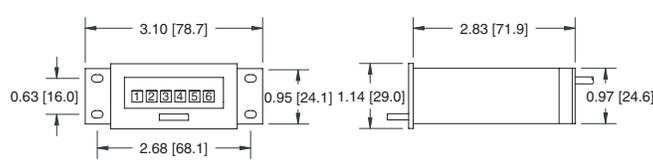
Panel cutout: 2.00" x 1.01" [50.8 x 25.7mm]

Base Mount - 4 Figure



Mounting holes: 0.12" x 0.20" [3.1 x 5.1mm] slots

Base Mount - 6 Figure



Mounting holes: 0.12" x 0.20" [3.1 x 5.1mm] slots

Applications

Test Equipment



Control Panels



Business Machines



Medical devices





**Description**

Designed for use in a wide variety of production, batching and packaging applications. These 4 or 6 figure electromechanical predetermining counters count down from a preset number and activate a SPDT switch. Convenient preset controls and built-in manual reset with guard are standard. A surge absorbing circuit protects against damage due to voltage spikes. Heavy duty bail mount secures counter in place.

**Features**

- 4 or 6 figures
- Heavy duty mount
- SPDT switch

**Options**

- Voltages

**Specifications**

**Figures:** 4 or 6 figures, white on black, 0.16" [4mm] high  
**Reset:** Manual, or electric reset (min. 100ms - on, 1min - off)  
**Speed:** 600 counts/minute (min. 50ms - on, 50ms - off)  
**Voltages:** 115VAC, 24VDC  
 (+/-10%, but not to exceed 10 volts)  
**Power:** 5.5 watts count, 20 watts reset (nominal)  
**Mounting:** Bail

**Termination:** Screw type  
**Operating Life:** Beyond 100 million counts  
**Temp. Range:** -15°F to +140°F [-26°C to + 60°C]  
**Output Switch:** SPDT 5 Amp. @ 250 VAC resistive  
**Output Duration:** Until reset  
**Approvals:** UL Recognized, CE Compliant  
**Weight:** 10 oz. [284g]

**Models Description**

**B2-5804** 115VAC, 4 figure, manual reset  
**B2-5804/E2** 115VAC, 4 figure, 115VAC electric reset  
**B8-5804** 24VDC, 4 figure, manual reset  
**B8-5804/E8** 24VDC, 4 figure, 24VDC electric reset

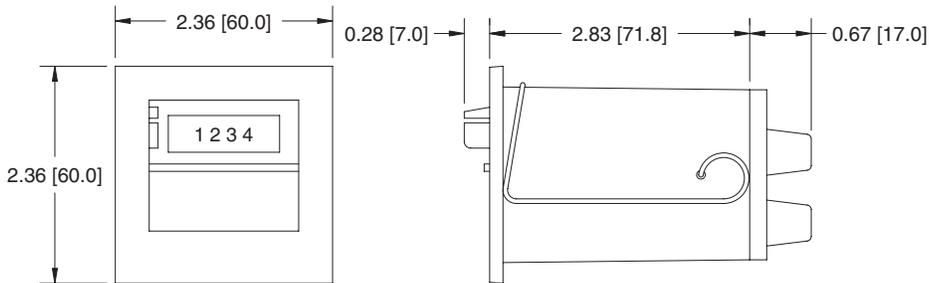
**Models Description**

**B2-5806** 115VAC, 6 figure, manual reset  
**B2-5806/E2** 115VAC, 6 figure, 115VAC electric reset  
**B8-5806** 24VDC, 6 figure, manual reset  
**B8-5806/E2** 24VDC, 6 figure, 115VAC electric reset

\* Items in bold are normally in factory stock.

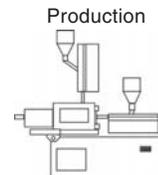
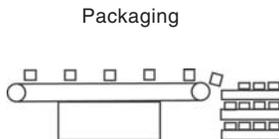
**Dimensions**

**Bail Mount**



Panel cutout: 2.17" x 2.17" [55.1 x 55.1]

**Applications**





**Description**

The model 710 AC hour meters and minute meters are widely used in panel applications where number size and visibility are critical. Its tough, Lexan bezel and distinctive styling enhance appearance and durability. Available in 5 figure reset or 6 figure non-reset versions.

**Features**

- Large figures
- Tough, Lexan case
- Reset or non-reset

**Options**

- Private label faceplates
- Bracket mount
- Mounting bracket (721-0003)
- Splash proof kit (721-0017)
- Heavy duty splash proof kit (721-0018)
- Gasket (721-0004)

**Specifications**

**Figures:** 5 figures, 9999.9 (reset) or 6 figure, 99999.9 (non-reset), 0.19" [5mm] high  
**Reset:** Reset (on front or side) or non-reset  
**Voltages:** 24, 115 or 230VAC, (+/-10%), 50 or 60 Hz.  
**Power:** 3 watts (nominal)  
**Mounting:** Panel (3-hole)

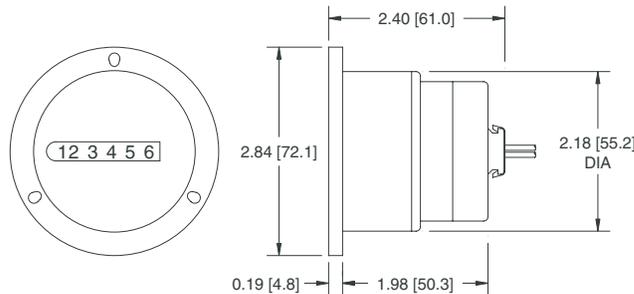
**Terminations:** 8" [203.2mm] wire leads or terminal block  
**Temp. Range:** -20°F to +160°F [-29°C to +71°C]  
**Approvals:** UL Recognized, CSA Certified, CE Compliant  
**Weight:** 6 oz. [170g]

Models	Description	Models	Description
<b>710-0001</b>	115VAC/60Hz, non-reset, 99,999.9 hrs, 8" [203mm] wire leads	<b>710-0014</b>	230VAC/60Hz, non-reset, 99,999.9 hrs, terminal block
<b>710-0002</b>	115VAC/60Hz, non-reset, 99,999.9 hrs, terminal block	710-0018	115VAC/60Hz, non-reset, 99,999.9 min, 8" [203mm] wire leads
<b>710-0003</b>	230VAC/60Hz, non-reset, 99,999.9 hrs, 8" [203mm] wire leads	710-0024	24VAC/60Hz, non-reset, 99,999.9 hrs, terminal block
<b>710-0006</b>	24VAC/60Hz, non-reset, 99,999.9 hrs, 8" [203mm] wire leads	<b>710-0026</b>	115VAC/50Hz, non-reset, 99,999.9 hrs, terminal block
710-0008	115VAC/60Hz, non-reset, 99,999 hrs, 8" [203mm] wire leads	<b>710-0032</b>	115VAC/60Hz, front reset, 9,999.9 hrs, terminal block
<b>710-0009</b>	115VAC/50Hz, non-reset, 99,999.9 hrs, 8" [203mm] wire leads	710-0051	115VAC/60Hz, non-reset, 99,999 hrs, terminal block
<b>710-0013</b>	115VAC/60Hz, front reset, 9,999.9 hrs, 8" [203mm] wire leads		

\* Items in bold are normally in factory stock.

**Dimensions**

**8" [203mm] Wire Leads**



Mounting holes: For #4 screws on 2.44" [62.0] B.C.  
 and #6 screws on 2.53" [64.3] B.C.  
 Panel cutout: 2.21" [56.1] Dia.

**Applications**

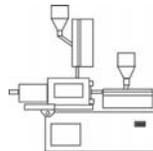
Office equipment



Control panels



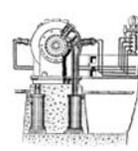
Industrial equipment



Test equipment



Compressors





**Description**

The Redington Model 711/731 provides a family of compact 7 figure, AC or DC Hour Meters. Models are available in the standard industry housings, 2-Hole rectangular, flush-round and flush-rectangular. DC Models are quartz controlled for high reliability and accuracy. A choice of two rectangular panel cutouts are offered 1.45" X 0.95" [36.8mm X 24.1mm] or 1.45" X 0.87" [36.8mm X 2.1mm]. The Round meter has a panel cutout of 1.99" [50.5mm].

**Features**

- 7 figure, 99999.99
- Various voltage inputs
- Quartz accuracy (DC)
- Large figures, 0.14" [3.6mm]
- CE Compliant
- UL Recognized/CSA Certified for AC
- UL/cUL Recognized for DC

**Options**

- Special voltages
- Terminations
- Panel cutout

**Specifications**

**Figures:** 7 figures, 0.14" [3.6mm] 99999.99  
**Reset:** Non-reset  
**Voltages:** 24, 115 or 230VAC ( $\pm 10\%$ ), 50 or 60 Hz 10-28VDC  
**Power:** 2 watts AC, 0.4 watts DC  
**Mounting:** Clip or mounting holes  
**Termination:** 1/4" [6.3mm] spade terminals with screws (AC)  
 1/4" [6.3mm] spade terminals (DC)  
**Accuracy:** 0.01% (DC) quartz  
**Case Material:** Black polymer  
**Agency Approvals:** CE Compliant  
 UL Recognized/CSA Certified for AC  
 UL/cUL Recognized for DC  
**Weight:** 1.2oz. [35g]

**Environmental:**

**Front Panel:** IP65  
**Operating Temperature:** -40°F to +180°F [-40°C to +82°C]  
**Storage Temperature:** -40°F to +185°F [-40°C to +85°C]  
**Humidity:** 95% RH- SAE J 1378  
**Vibration:** 20g's @ 10-80 Hz- SAE J 1378  
**Shock:** 55g's @ 9-13 msec.- SAE J 1378  
**Transient Immunity:** EMI:  $\pm 400V @ 500Hz$   
**Alternator Load Dump:** 150V inductive switching, reverse polarity and over voltage protection

**Models**

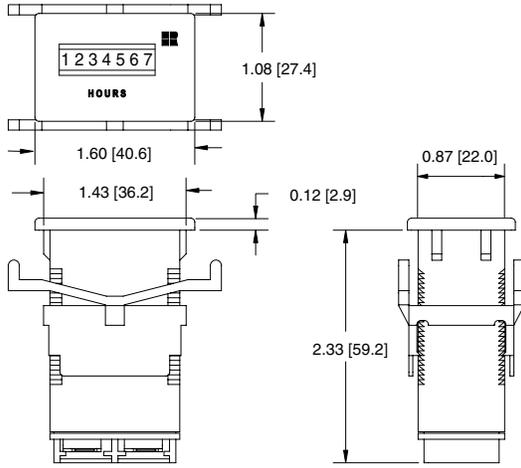
Models	Voltage AC	Mount	Panel Cut-out		
			1.45 X .87	1.45 X .95	1.99
711-0013	115VAC/60Hz	Round			X
711-0014	230VAC/60Hz	Round			X
711-0015	24VAC/60Hz	Round			X
<b>711-0113</b>	115VAC/60Hz	Flush Rect	X		
<b>711-0114</b>	24VAC/60Hz	Flush Rect.	X		
711-0120	115VAC/60Hz	Flush Rect		X	
711-0123	230VAC/60Hz	Flush Rect.		X	
711-0124	24VAC/60Hz	Flush Rect.		X	
<b>711-0130</b>	115VAC/60Hz	2-Hole	X		
711-0131	230VAC/60Hz	2-Hole	X		
711-0132	24VAC/60Hz	2-Hole	X		
711-0133	115VAC/50Hz	2-Hole	X		
711-0134	230VAC/50Hz	2-Hole		X	
711-0138	230VAC/60Hz	Flush Rect.	X		
711-0215	115VAC/60Hz	2-Hole		X	
711-0216	230VAC/60Hz	2-Hole		X	
711-0217	24VAC/60Hz	2-Hole		X	

Models	Voltage DC	Mount	Panel Cut-out		
			1.45 X .87	1.45 X .95	1.99
731-0006	10-28VDC	Round			X
<b>731-0040</b>	10-28VDC	2-Hole	X		
731-0041	10-28VDC	Flush Rect	X		
731-0042	10-28VDC	Flush Rect		X	
731-0051	10-28VDC	2-Hole		X	

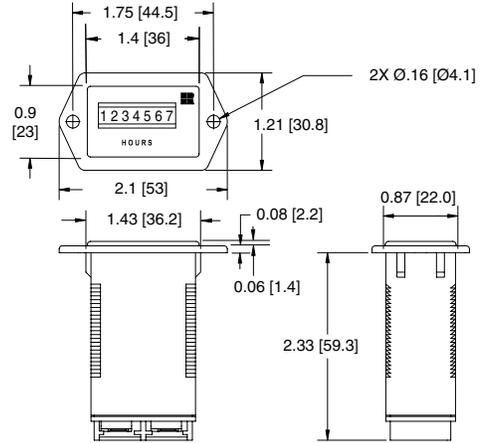
\* Items in bold are normally in factory stock.



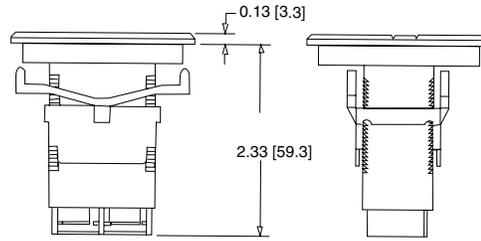
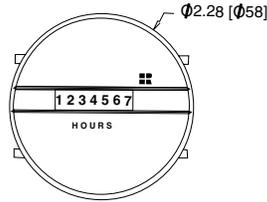
Dimensions



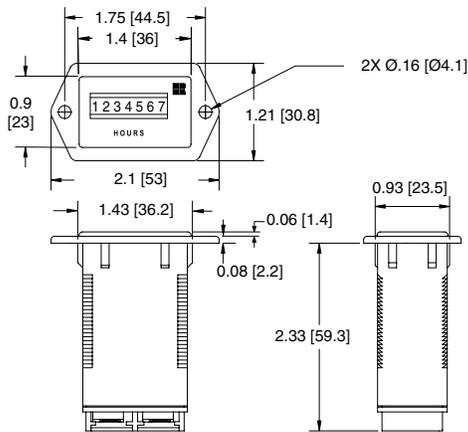
PANEL OPENING 1.45 [36.8] X 0.87 [22.1]  
PANEL THICKNESS 0.50" [12.7]



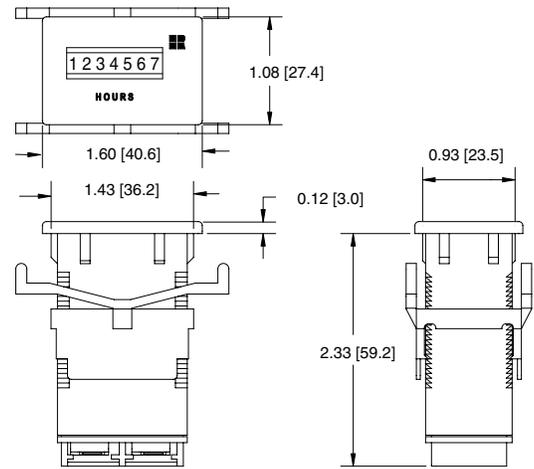
PANEL OPENING 1.45 [36.8] X 0.87 [22.1]



PANEL OPENING 1.99 [50.5] DIA



PANEL OPENING 1.45 [36.8] X 0.95 [24.1]



PANEL OPENING 1.45 [36.8] X 0.95 [24.1]  
PANEL THICKNESS 0.50" [12.7]

Applications

Medical equipment



Test equipment



Office equipment





Description

These 7 figure, AC or DC hour meters with running indicators, offer crisp, distinctive styling for many panel applications. Available in square and round bezel, flush mount, or three-hole round panel mount. Each is light-weight, low power, and carry UL, CSA and CE approvals.

Features

- 7 figure, 99999.99
- Various voltage inputs
- Distinctive styling

Options

- Terminations
- Din rail
- Voltages

Specifications

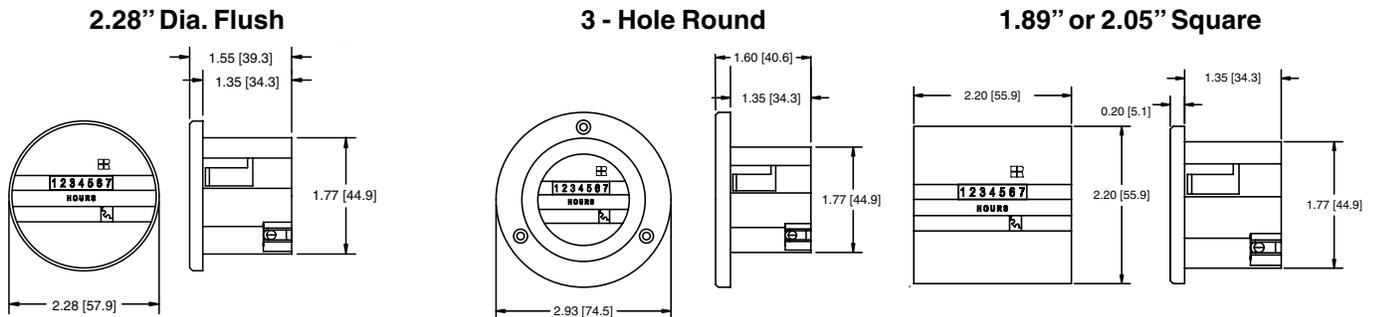
**Figures:** 7 figures, 0.14" high [3.6mm], 99,999.99 hours  
**Reset:** Non-reset  
**Voltages:** 24, 115, or 230VAC (+/-10%), 50 or 60Hz., 10-80 VDC  
**Power:** 3 watts (AC), 1.2 watt maximum (DC)  
**Terminations:** 1/4" [6.3mm] spade terminals, with removable screws, or 8" [203mm] wire leads

**Mounting:** Panel (mounting hardware included)  
**Temp. Range:** -22°F to +158°F [-30°C to +70°C]  
**Approvals:** UL Recognized and CSA Certified (AC only), CE Approved  
**Weight:** 2 oz. [57g]

Models	Description	Models	Description
<b>711-0150</b>	115VAC/60Hz, 2.28" Dia., Flush mount, screw termination	711-0182	24VAC/60Hz, 1.89" Sq., Flush mount, screw termination
711-0152	230VAC/60Hz, 2.28" Dia., Flush mount, screw termination	<b>711-0190</b>	115VAC/60Hz, 2.05" Sq., Flush mount, screw termination
<b>711-0160</b>	115VAC/60Hz, 2.93" Dia., 3-hole round, screw termination	711-0191	230VAC/60Hz, 2.05" Sq., Flush mount, screw termination
711-0161	115VAC/50Hz, 2.93" Dia., 3-hole round, screw termination	711-0192	24VAC/60Hz, 2.05" Sq., Flush mount, screw termination
711-0162	230VAC/60Hz, 2.93" Dia., 3-hole round, screw termination	711-0193	115VAC/50Hz, 2.05" Sq., Flush mount, screw termination
711-0163	230VAC/50Hz, 2.93" Dia., 3-hole round, screw termination	711-0194	230VAC/50Hz, 2.05" Sq., Flush mount, screw termination
711-0164	24VAC/60Hz, 2.93" Dia., 3-hole round, screw termination	711-0195	24VAC/50Hz, 2.05" Sq., Flush mount, screw termination
711-0170	230VAC/60Hz, 2.93" Dia., 3-hole round, 8" wire leads		
711-0171	115VAC/60Hz, 2.93" Dia., 3-hole round, 8" wire leads	<b>731-0046</b>	10-80VDC, 2.93" Dia., 3-hole round, screw termination
<b>711-0180</b>	115VAC/60Hz, 1.89" Sq., Flush mount, screw termination		

\* Items in bold are normally in factory stock.

Dimensions



Panel cutout: 1.99" [50] Dia. or 1.81" [46] Sq.

Panel cutout: 1.99" [50] Dia. or 1.81" [46] Sq.  
Screws provided: 4-40 x 5/8" [16]  
Bolt hole circle: 2.44" [62]

Panel cutout: 1.99" [50] Dia. or 1.81" [46] Sq.  
(for 1.89" Sq. use 1.81" [46] Sq. cutout only)

Applications

Medical equipment



Test equipment



Office equipment





Description

A rectangular style AC hour meter designed to complement existing meters in control panels. Available in 6 figure reset or 7 figure non-reset. The non-reset model incorporates a retaining clip to lock into panel, while the reset version has a metal bracket and screw.

Features

- Large figures
- 6 or 7 digits
- UL Recognized, CSA Certified, CE Compliant

Options

- Reset or non-reset

Specifications

**Figures:** 6 figure (reset) or 7 figure (non-reset), 0.19" [5mm] high  
 9,999.99 hours. (reset version)  
 99,999.99 hours. (non-reset models)

**Reset:** Push-button, or non-reset

**Voltages:** 115VAC (+/- 10%), 50 or 60 Hz.

**Power:** 2 watts (nominal)

**Mounting:** Panel (mounting hardware included)

**Termination:** 19" [483mm] wire leads

**Temp. Range:** -4°F to +158°F [-20°C to +70°C]

**Approvals:** UL Recognized, CSA Certified, CE Compliant

**Weight:** 2 oz. [57g]

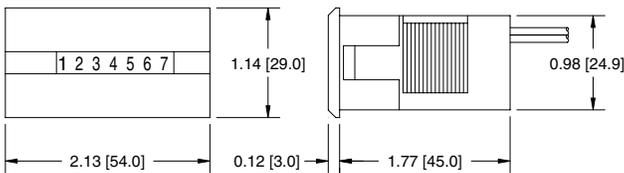
**Options:** Voltages

Models Description

711-0019	115VAC/60Hz, reset, 6 figure, 9,999.99 hrs., 19" [483mm] wire leads
711-0020	115VAC/60Hz, non-reset, 7 figure, 99,999.99 hrs., 19" [483mm] wire leads
711-0041	115VAC/50Hz, non-reset, 7 figure, 99,999.99 hrs., 19" [483mm] wire leads

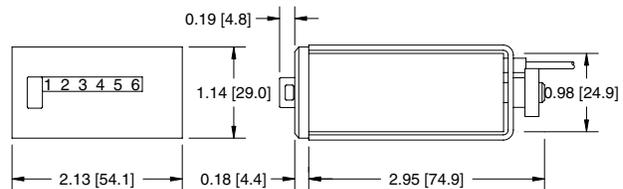
Dimensions

Non-Reset



Panel cutout: 1.98" x 0.99" [50.3 x 25.1]

Reset



Panel cutout: 1.98" x 0.99" [50.3 x 25.1]

Applications

Medical equipment



Test equipment



Office equipment





Description

A 6 figure general purpose, rugged, electromechanical counter, either panel or base mounted, with manual knob reset, key reset, or non-reset. Frame and housing provides rigid support for accurate alignment and trouble-free use. Distinctive numerals enhance visibility under adverse viewing conditions.

Features

- Panel or base mount
- Rigid support for accurate alignment
- Enhanced visibility
- Manual knob, key or non-reset

Options

- Voltages
- Lead lengths
- Terminations
- Mounting
- 1071-024S - additional key for model 1026

Specifications

**Figures:** 6 figures, white on black, 0.19" [5mm] high  
**Reset:** Knob, lock and key, or non-reset  
**Speed:** 1,000 counts/minute (min. 30ms - on, 30ms - off)  
**Voltage:** 24, 115, 230 VAC or 24 VDC (+/- 10%, but not to exceed 10 volts)  
**Power:** 7.8 watts (nominal)

**Mounting:** Base or panel  
**Terminations:** (2)#22 AWG 105°C wire leads, 8" [203mm] long  
**Operating Life:** Beyond 50 million counts  
**Temp. Range:** -15°F to +140°F [-26°C to +60°C]  
**Approvals:** UL Recognized, CSA Certified, CE Compliant  
**Weight:** 18 to 22 oz. [510 to 624g]

Models

Description

1-1006	230VAC, base mount, knob reset
<b>2-1006</b>	115VAC, base mount, knob reset
3-1006	24VAC, base mount, knob reset
8-1006	24VDC, base mount, knob reset
2-1016	115VAC, base mount, non-reset
P1-1006	230VAC, panel mount, knob reset
<b>P2-1006</b>	115VAC, panel mount, knob reset

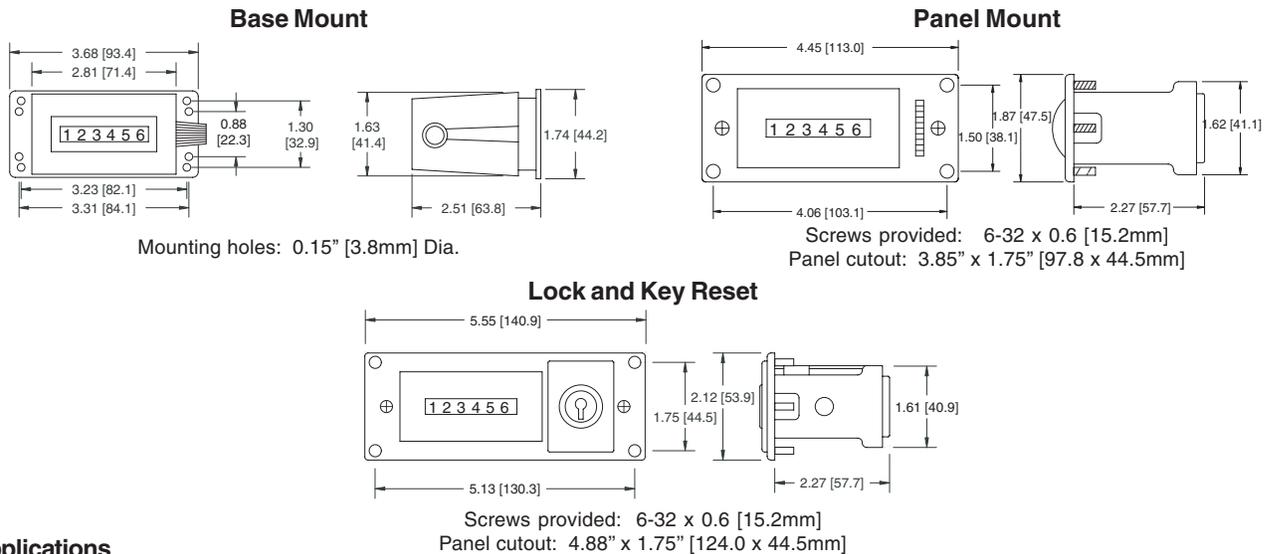
Models

Description

P3-1006	24VAC, panel mount, knob reset
P8-1006	24VDC, panel mount, knob reset
P2-1016	115VAC, panel mount, non-reset
P31-1026	230VAC, panel mount, lock and key reset
<b>P32-1026</b>	115VAC, panel mount, lock and key reset
P33-1026	24VAC, panel mount, lock and key reset
P38-1026	24VDC, panel mount, lock and key reset

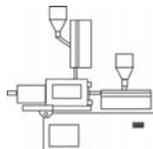
\* Items in bold are normally in factory stock.

Dimensions

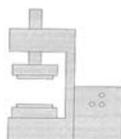


Applications

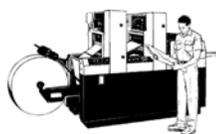
Molding machines



Punch press



Printing presses



Test labs



Secondary Machines





Description

A 7 figure, rugged, electromechanical counter, either panel or base mounted, with manual knob reset, key reset, or non-reset. Frame and housing provides rigid support for accurate alignment and trouble-free use. Large, easy-to-read numerals assure readability.

Features

- 7 figure
- Panel or base mount
- Rigid support for accurate alignment
- Large easy to read numerals

Options

- Voltages
- Lead lengths
- Terminations
- Wheel color

Specifications

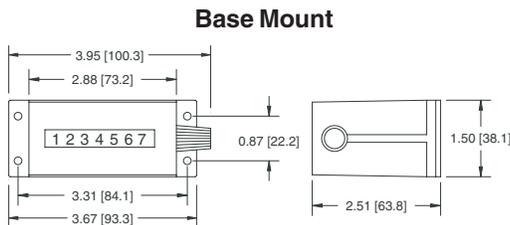
**Figures:** 7 figures, white on black, 0.19" [5mm] high  
**Reset:** Knob, lock and key, or non-reset  
**Speed:** 1,000 counts/minute  
 (min. 30ms - on, 30ms - off)  
**Voltage:** 24, 115, 230 VAC or 24 VDC  
 (+/- 10%, but not to exceed 10 volts)  
**Power:** 7.8 watts (nominal)

**Mounting:** Base, panel, or behind the panel  
**Terminations:** (2)#22 AWG 105°C wire leads, 8" [203mm] long  
**Operating Life:** Beyond 50 million counts  
**Temp. Range:** -15°F to +140°F [-26°C to +60°C]  
**Approvals:** UL Recognized, CSA Certified, CE Compliant  
**Weight:** 14 to 18 oz. [397 to 510g]

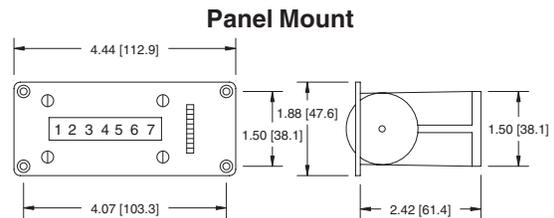
Models	Description
1-1007	230VAC, base mount, knob reset
2-1007	115VAC, base mount, knob reset
3-1007	24VAC, base mount, knob reset
8-1007	24VDC, base mount, knob reset
2-1017	115VAC, base mount, non-reset

Models	Description
P2-1007	115VAC, panel mount, knob reset
P2-1027	115VAC, panel mount, lock and key reset
P8-1027	24VDC, panel mount, lock and key reset
R2-1007	115VAC, behind the panel, knob reset
R2-1017	115VAC, behind the panel, non-reset

Dimensions

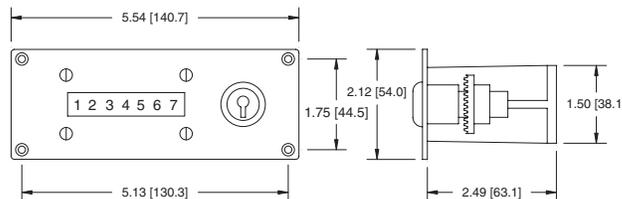


Mounting holes: 0.15" [3.8mm] Dia.



Screws provided: 6-32 x 0.6 [15.2mm]  
Panel cutout: 3.85" x 1.75" [97.8 x 44.5mm]

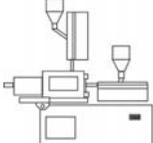
Lock and Key Reset



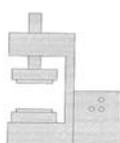
Screws provided: 6-32 x 0.6 [15.2mm]  
Panel cutout: 4.88" x 1.75" [124.0 x 44.5mm]

Applications

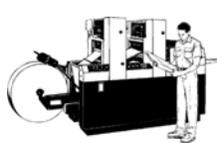
Molding machines



Punch press



Printing presses



Test labs



Secondary Machines





**Description**

A general purpose, 4 figure electromechanical reset counter perfect for applications where long life, reliability, and accuracy are mandatory. Several mounting alternatives and large, easy-to-read numbers are combined in a rugged housing.

**Features**

- Rugged housing
- Long life
- Reliable
- Accurate

**Options**

- Voltages
- Lead lengths
- Terminations

**Specifications**

**Figures:** 4 figures, white on black, 0.19" [5mm] high  
**Reset:** Knob  
**Speed:** 1,000 counts/minute  
 (min. 30ms - on, 30ms - off)  
**Voltage:** 115 VAC  
 (+/-10%, but not to exceed 10 volts)  
**Power:** 5 watts (nominal)

**Mounting:** Base, panel, or behind the panel  
**Terminations:** (2)#22 AWG 105°C wire leads, 8" [203mm] long  
**Operating Life:** Beyond 50 million counts  
**Temp. Range:** -15°F to +140°F [-26°C to +60°C]  
**Approvals:** UL Recognized, CSA Certified, CE Compliant  
**Weight:** 10 oz. [284g]

**Models Description**

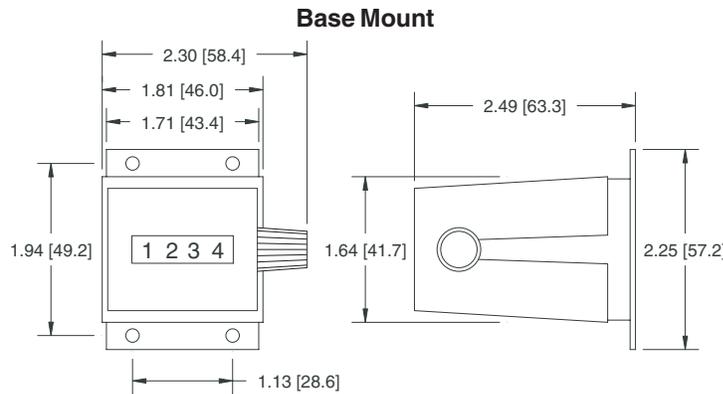
**2-1284** 115VAC, Base mount, knob reset  
**D2-1284** 115VAC, D panel mount, knob reset

**Models Description**

**P2-1284** 115VAC, P panel mount, knob reset  
**PR2-1284** 115VAC, PR panel mount, knob reset

\* Items in bold are normally in factory stock.

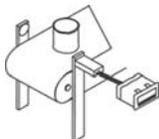
**Dimensions**



Mounting holes: 0.15" [3.8mm] Dia.

**Applications**

Production totals



Medical devices



Office machines



Control Panels





Description

An extremely long life, 6 figure, electromechanical counter available in panel mounting versions with manual push-button reset. High count speeds, bold numbers, and contemporary design make this ideal in office, graphic arts, medical and computer applications.

Features

- High count speed
- Bold numbers
- Contemporary design

Options

- Voltages
- Lead lengths
- Terminations

Specifications

**Figures:** 6 figures, white on black, 0.15" [4mm] high  
**Reset:** Push-button  
**Speed:** 1,000 counts/minute AC, (min. 30ms - on, 30ms - off)  
 1,500 counts/minute DC, (min. 20ms - on, 20ms - off)  
**Voltages:** 115VAC, 24VDC  
 (+/- 10%, but not to exceed 10 volts)  
**Power:** 2.8 watts (nominal)

**Mounting:** Panel  
**Terminations:** Solder terminals  
**Operating Life:** Beyond 200 million counts  
**Temp. Range:** -15°F to +140°F [-26°C to +60°C]  
**Approvals:** UL Recognized, CSA Certified, CE Compliant  
**Weight:** 8 oz. [227g]

Models Description

P2-3106 115VAC, P panel mount, manual reset  
**R2-3106** 115VAC, R panel mount, manual reset  
 P8-3206 24VDC, P panel mount, manual reset

Models Description

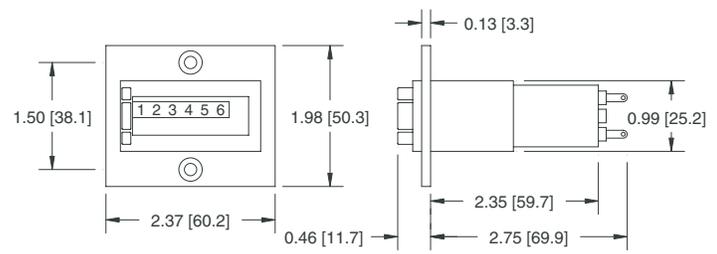
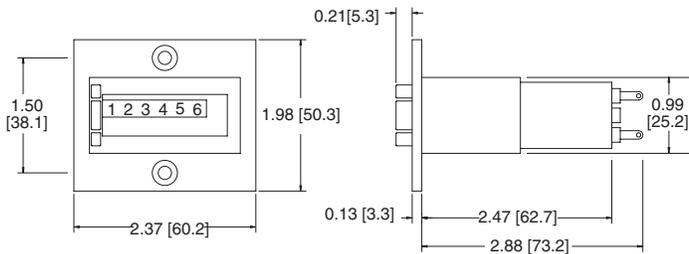
P9-3206 12VDC, P panel mount, manual reset  
 R8-3206 24VDC, R panel mount, manual reset

\* Items in bold are normally in factory stock.

Dimensions

P - Mount

R - Mount



Mounting holes: For #8 flat head screw  
 Panel cutout: 2.02" x 1.05" [51.3 x 26.7mm]

Applications

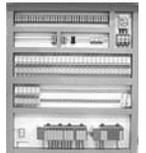
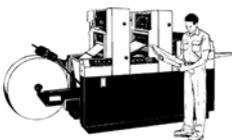
Graphic arts

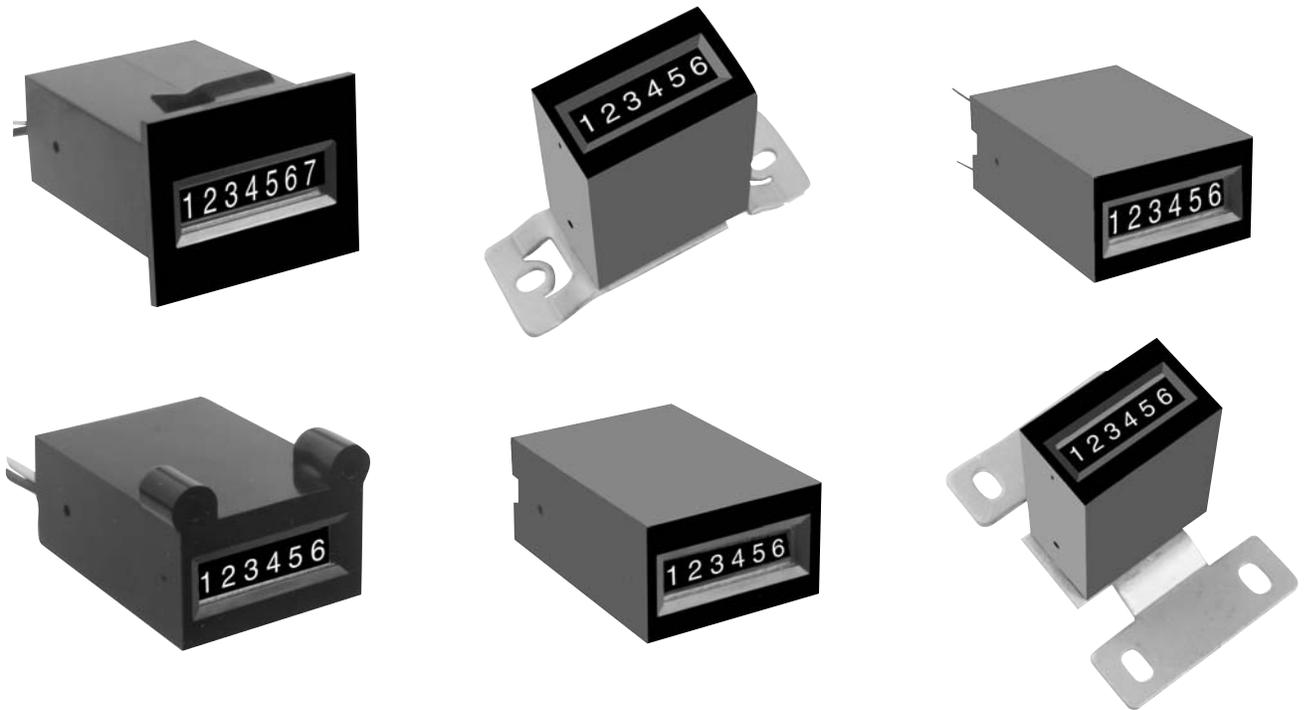
Office equipment

Computer applications

Medical equipment

Control panels





**Description**

The Model 40 is a low cost, non-reset totalizer, available with 6-7 figures (white on black background). A wide choice of operating voltages and mountings make this product adaptable for most applications. The Model 40 is an ideal solution for applications that require low cost and product reliability.

**Features**

- Low cost
- Small size
- DC and AC

**Options**

- 6 or 7 figure
- Multiple mounting choices
- Voltages

**Specifications**

**Figures:** 6 or 7 figures, white on black, 0.12" (3 mm) high  
**Reset:** Non-reset  
**Speed:** 600 counts/minute (min. 50ms - on, 50ms - off)  
**Voltage:** 115 VAC, 5, 12 or 24 VDC (+ 10/-15% tolerance)  
**Power:** 1.4 watts AC, 1.0 watts DC (nominal)  
**Mounting:** Rear, behind the panel, snap-in, base or PCB mount

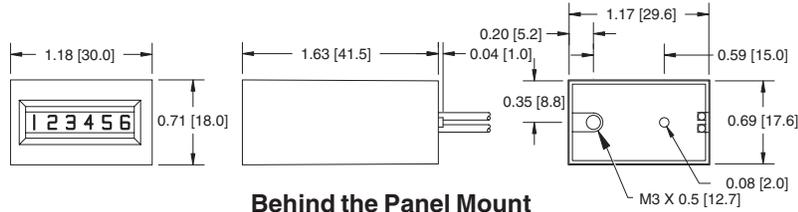
**Terminations:** (2)#22 AWG 221°F [105°C] wire leads, 10.5" [266.7mm] long or (2) 0.03" [0.8mm] Dia. pins for PCB mounting  
**Operating Life:** Beyond 3 million counts  
**Temp. Range:** +23°F to +104°F [-5°C to +40°C]  
**Weight:** Less than 1 oz. [28g]

Models	Description	Models	Description
2-4016	115VAC, 6 figure, rear mount, wire leads	2-4017	115VAC, 7 figure, rear mount, wire leads
R2-4016	115VAC, 6 figure, behind the panel mount, wire leads	R2-4017	115VAC, 7 figure, behind the panel mount, wire leads
R9-4016	12VDC, 6 figure, behind the panel mount, wire leads	R9-4017	12VDC, 7 figure, behind the panel mount, wire leads
SR2-4016	115VAC, 6 figure, snap-in panel mount, wire leads	SR2-4017	115VAC, 7 figure, snap-in panel mount, wire leads
T2-4016	115VAC, 6 figure, PCB mount, pins	T2-4017	115VAC, 7 figure, PCB mount, pins
V8-4016	24VDC, 6 figure, V-base mount, wire leads	V8-4017	24VDC, 7 figure, V-base mount, wire leads

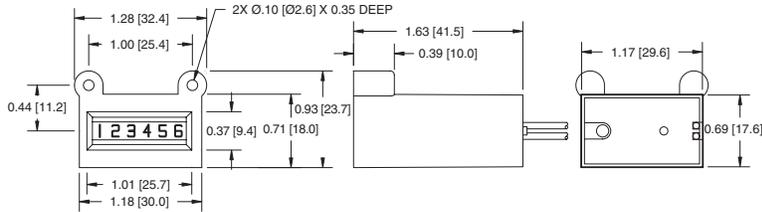


Dimensions

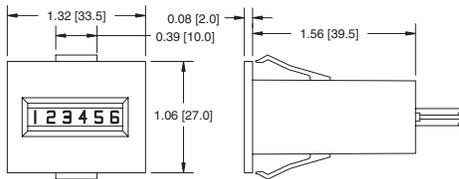
Rear Mount



Behind the Panel Mount

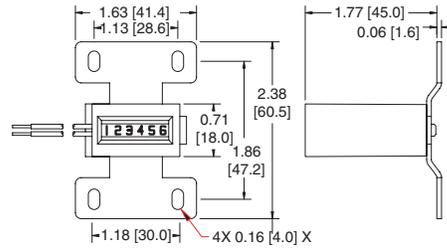


Snap-In Panel Mount

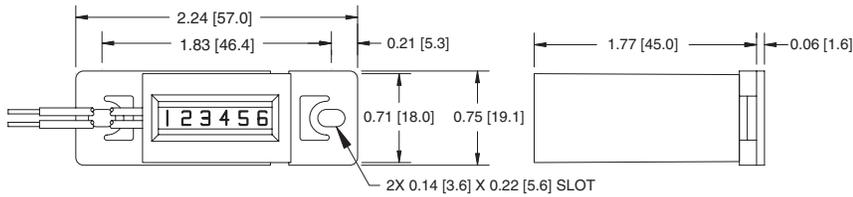


PANEL CUTOUT: 1.20 [30.5] X 0.96 [24.4]  
RECOMMENDED PANEL THICKNESS: 0.04 [1.0] to 0.08 [2.0]

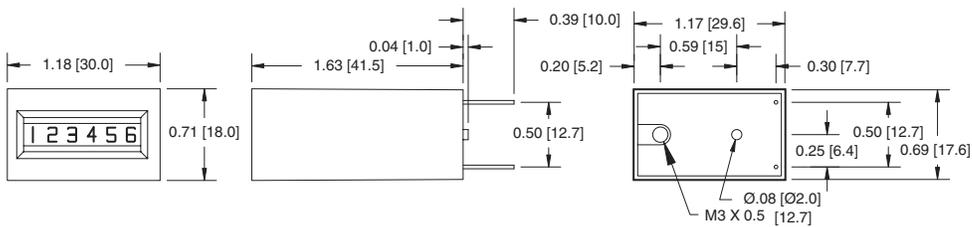
V-Base Mount



D-Base Mount



PCB Mount



Applications

Vending/Gaming machines



Photocopiers



Items dispenser



Office equipment





Description

A 6 figure, non-reset counter. Metal/plastic frame assembly assures ruggedness while one piece cover discourages tampering. Precision molded internal gearing requires no lubrication for long, accurate count life. Applications include warranty verification, electronic game counting, coin box tallies, or wherever small size, highly visible numerals, and solid construction are critical.

Features

- Small size
- Highly visible numerals
- Solid construction

Options

- Voltages
- 7 figure
- Lead length
- Special connectors
- Extended temperature range
- Count x 2

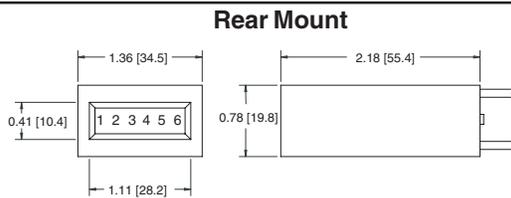
Specifications

**Figures:** 6 figures, white on black, 0.18" [4.6mm] high  
**Reset:** None  
**Speed:** 600 counts/minute  
 (min. 50ms - on, 50ms - off)  
**Voltages:** 115VAC, 24VDC  
 (+/- 10%, but not to exceed 10 volts)  
**Power:** 1.5 watts (nominal)

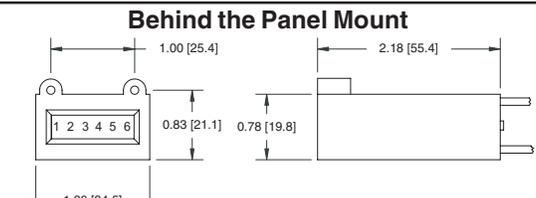
**Mounting:** Rear, behind the panel, base, or combination  
**Terminations:** (2) #22 AWG 221°F [105°C] wire leads, 10" [254mm] long  
**Operating Life:** Beyond 3 million counts  
**Temp. Range:** +23°F to +104°F [-5°C to +40°C]  
**Approvals:** UL Recognized, CE Compliant  
**Weight:** 2.5 oz. [71g]

Models	Description	Models	Description
2-4416	115VAC, 6 figure, rear mount	V2-4416	115VAC, 6 figure, base mount
8-4416	24VDC, 6 figure, rear mount	V8-4416	24VDC, 6 figure, base mount
R2-4416	115VAC, 6 figure, behind the panel mount	RV2-4416	115VAC, 6 figure, combination mount
R8-4416	24VDC, 6 figure, behind the panel mount	RV8-4416	24VDC, 6 figure, combination mount

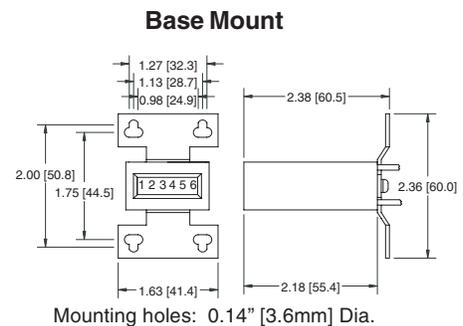
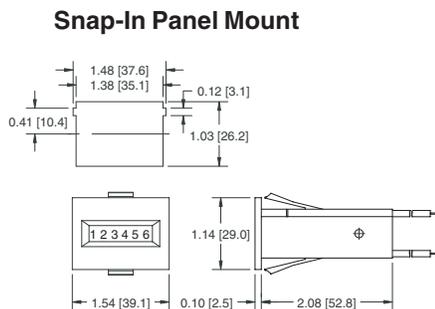
Dimensions



Mounting hole: For M3 screw



Mounting holes: For M3 self tapping screw



Mounting holes: 0.14" [3.6mm] Dia.

Applications

Warranty verification



Coin box tallies



Electronic game counting

