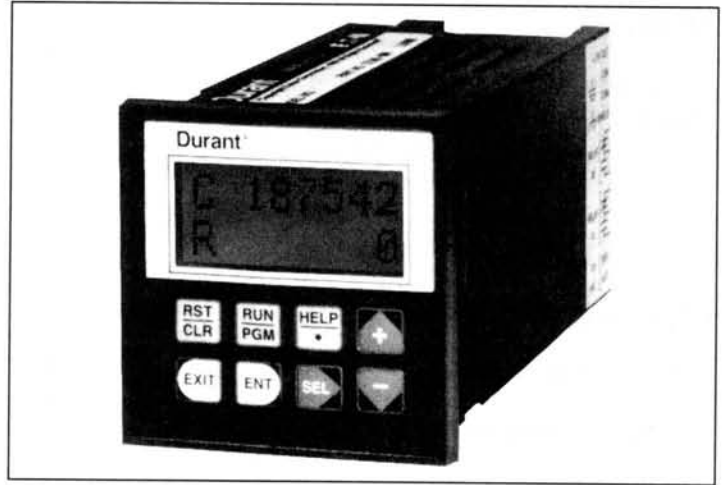


SINGLE PRESET COUNT / CONTROLS

MODELS

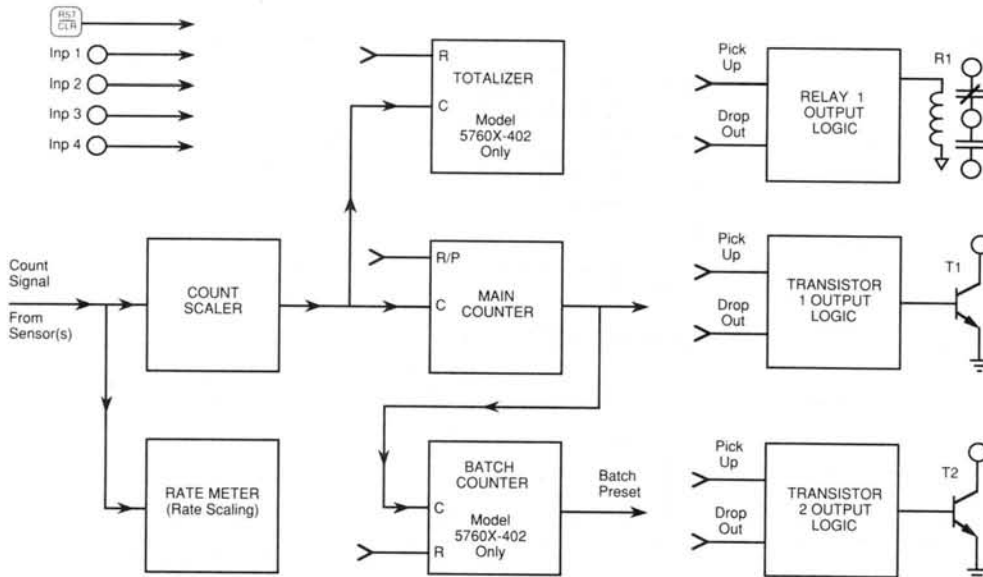
5760X-401 Single Preset with Rate
 5760X-402 Single Preset with Rate,
 Batch and Totalizer

- 1 Form C Relay
- Ratemeter
- Serial Communications
- Versatile Control Inputs
- Scaling



Model 57601-402

OVERALL BLOCK DIAGRAM



ORDERING INFORMATION

Model Number	Product Description
57600-401	Single Preset With Rate, 10 - 15 VDC
57601-401	Single Preset With Rate, 115 VAC
57602-401	Single Preset With Rate, 230 VAC
57600-402	Single Preset With Rate, Batch and Totalizer, 10 - 15 VDC
57601-402	Single Preset With Rate, Batch and Totalizer, 115 VAC
57602-402	Single Preset With Rate, Batch and Totalizer, 230 VAC