

20 SERIES

CAPACITY: 75 - 125 LBS PER CASTER



12-24-XD

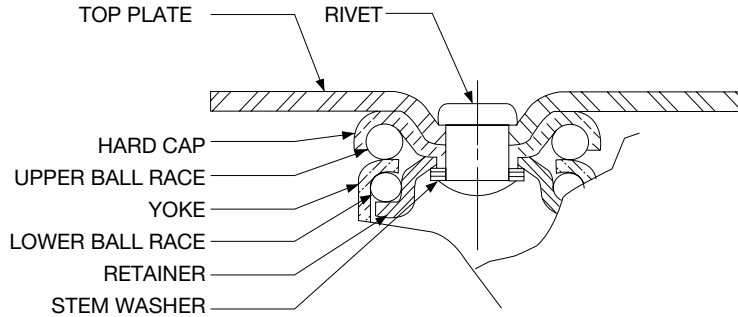


12-24R-XD



12-24B-XD

FEATURES

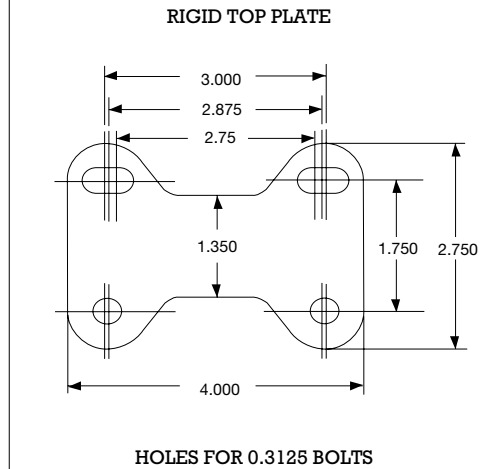
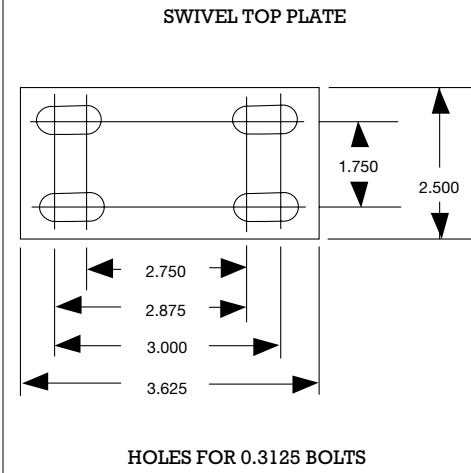


- 5/16" Axle
- 7/16" Rivet
- Double row ball bearing swivel. Both raceways equal diameter.
- Bright zinc finish
- All swivel parts case hardened to Rockwell 62C
- Thread guards standard on sizes larger than 2"

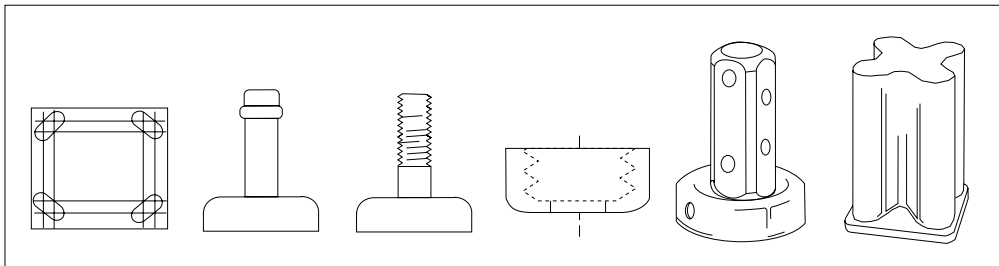
OPTIONS

- Brakes available on 3" and 4" models. Add letter "B".

INSTALLATIONS



NO. 12 TOP PLATE (STANDARD ON 20 SERIES)



OPTIONAL TOP PLATES AND STEMS&

20 SERIES

CAPACITY: 75-125 LBS PER CASTER

WHEEL DIAMETER	TREAD WIDTH	LOAD CAP./LBS	BEARING TYPE	SWIVEL MODEL	RIGID MODEL	SWIVEL RADIUS	OVERALL HEIGHT
NEOPRENE - SOFT, NON MARKING AND NON STAINING -USED ON ANY FLOOR SURFACE - ERGO*							
2"	1"	125	BALL	12-22-XD	12-22R-XD	2"	3-1/8"
2"	1"	75	SLEEVE	12-22-D	12-22R-D	2"	3-1/8"
3"	1"	125	BALL	12-23-XD	12-23R-XD	3"	4-1/4"
3"	1"	75	SLEEVE	12-23-D	12-23R-D	3"	4-1/4"
4"	1"	125	BALL	12-24-XD	12-24R-XD	3-3/8"	5-1/4"
4"	1"	75	SLEEVE	12-24-D	12-24R-D	3-3/16"	5-1/4"
5"	1"	125	BALL	12-25-XD	12-25R-XD	3-7/8"	6-1/4"
5"	1"	75	SLEEVE	12-25-D	12-25R-D	3-7/8"	6-1/4"
NEOPRENE SUPER ROLL - SOFT LOW PROFILE TREAD FOR EXTREMELY EASY ROLLING AND SWIVELING - ERGO*							
2-1/2"	1"	125	BALL	12-22.5-XSR	12-22.5R-XSR	2-1/8"	3-5/8"
2-1/2"	1"	75	SLEEVE	12-22.5-SR	12-22.5R-SR	2-1/8"	3-5/8"
SEMI-STEEL - CROWNED SEMI-STEEL CASTING OF A CLOSE-GRAINED CAST IRON							
2"	1"	100	SLEEVE	12-22-CI	12-22R-CI	2"	3-1/8"
2-1/2"	1"	125	SLEEVE	12-22.5-CI	12-22.5R-CI	2-1/8"	3-5/8"
RUBBER - SEMI-RESILIENT RUBBER MATERIAL							
2"	1"	75	SLEEVE	12-22-K	12-22R-K	2"	3-1/8"
2-1/2"	1"	75	SLEEVE	12-22.5-K	12-22.5R-K	2-1/8"	3-5/8"
3"	1"	75	SLEEVE	12-23-K	12-23R-K	3"	4-1/4"
4"	1"	75	SLEEVE	12-24-K	12-24R-K	3-3/8"	5-1/4"
HARD RUBBER - HARD SYNTHETIC RUBBER MATERIAL NOT AFFECTED BY OIL OR GREASE							
2"	1"	100	BALL	12-22-XH	12-22R-XH	2"	3-1/8"
2"	1"	100	SLEEVE	12-22-H	12-22R-H	2"	3-1/8"
2-1/2"	1"	125	SLEEVE	12-22.5-H	12-22.5R-H	2-1/8"	3-5/8"
3"	1"	125	SLEEVE	12-23-H	12-23R-H	3"	4-1/4"
4"	1"	125	SLEEVE	12-24-H	12-24R-H	3-3/8"	5-1/4"

* Ergonomically designed for easy rolling.