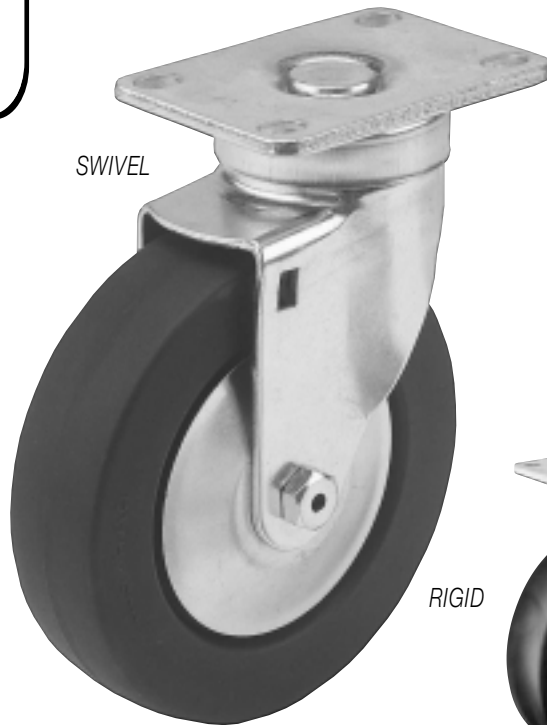


Medium Duty



Load Capacity: 175 to 400 lbs.

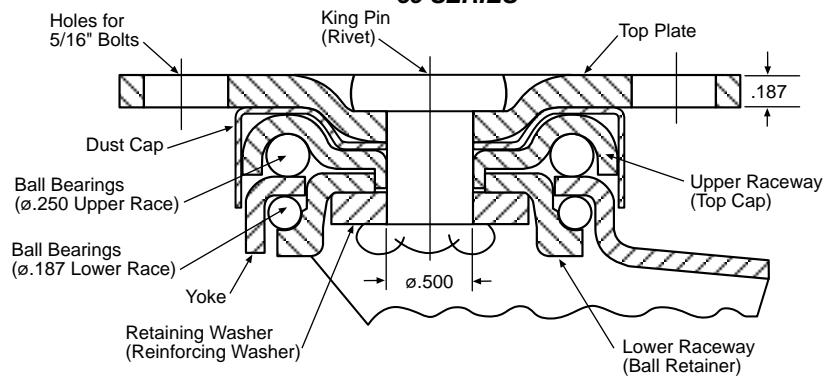
Quality Features

- FOUR-SIDED, DOUBLE BALL RACEWAY.**
 Hardened steel ball bearings touch upper and lower swivel raceway "on all four sides." This protects the central king pin from shock loading for free swiveling under heavy loads.
- HEAT-TREATED MOVING PARTS.**
 All moving parts are hardened to a precise molecular depth and Rockwell hardness. This extends caster life under rugged conditions and shock loads.
- RACEWAY DUST CAP.**
 Dust cap protects the raceway from contamination by dust, dirt, moisture, and other debris.
- TWO-PIECE RIGID CASTER.**
 Rigid caster utilizes a welded top plate and yoke design instead of a one-piece stamped yoke as used on competitive brands.
- THREAD GUARD.**
 Keep unwanted materials out of the wheel bearings thus increasing the life of the caster. Standard on most wheels.

Options

- Cart Washable Grease Seals
- Maintenance Free Swivel Bearings
- High-Temperature Wheels
- Conductive or Static-Dissipative Wheels
- Gray, Non-Marking Wheels
- Powder Coated Finishes

FOUR SIDED DOUBLE BALL BEARING RACEWAY 60 SERIES



NEOPRENE RUBBER

ADVANCED ELASTOMER

HI-CAP NEOPRENE

EXTRA-SOFT NEOPRENE

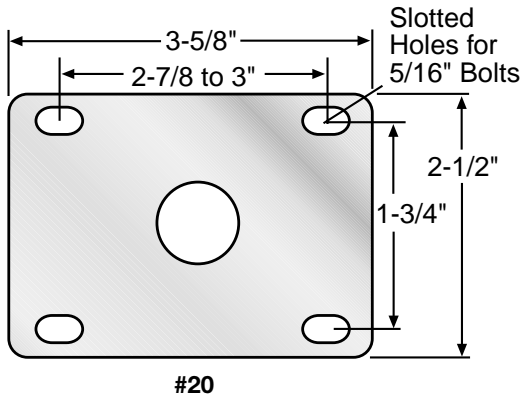
HARD RUBBER

STEEL DISC

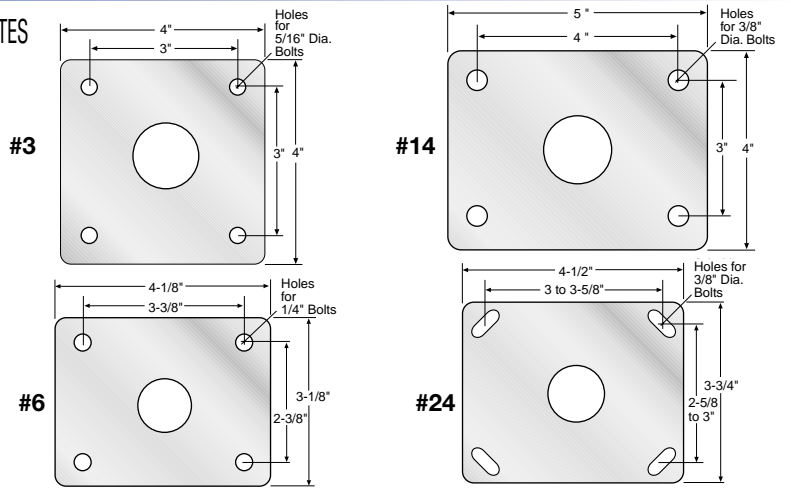


TOP PLATE

STANDARD

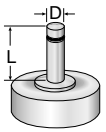


ALTERNATES



STEMS

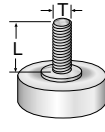
"O" STEM TABLE



Dimension D	Dimension L	Stem Number
*1/2"	1-1/2"	O60-12-112
5/8"	2"	O60-58-2
*3/4"	2"	O60-34-2
7/8"	2"	O60-78-2
1"	2-1/2"	O60-1-212

Other stem sizes and dimensions available.
*Special Order/Minimum Quantity

"L" STEM TABLE



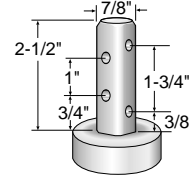
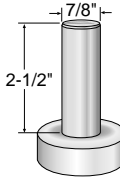
Dimension T	Dimension L	Stem Number
1/2"-13	1-1/2"	L60-1213-112
1/2"-13	2"	L60-1213-2
5/8"-11	2"	L60-5811-2
*5/8"-11	2-1/2"	L60-5811-212
3/4"-10	1-1/2"	L60-3410-112
3/4"-10	2"	L60-3410-2
3/4"-10	2-1/2"	L60-3410-212

Other stem sizes and dimensions available.
*Special Order/Minimum Quantity

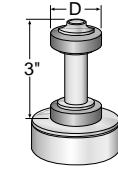
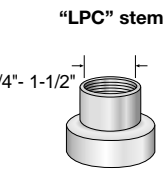
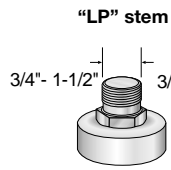
"E" STEM TABLE

Dimension D	
ROUND	SQUARE
3/4"	3/4"
7/8"	7/8"
1"	1"
1-1/16"	1-1/8"
1-1/8"	1-1/4"
1-1/4"	1-3/8"
1-3/8"	1-1/2"
1-7/16"	1-5/8"
1-1/2"	1-3/4"
1-9/16"	2"
1-5/8"	
1-3/4"	
1-7/8"	
1.9"	

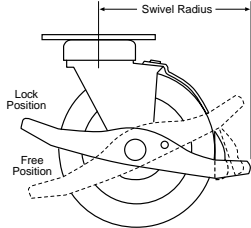
"7/8" round" stem "7/8" square" stem



Subtract .187" from overall height for stem casters.

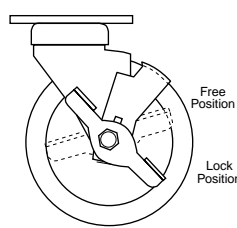


Wheel Brake (WB)



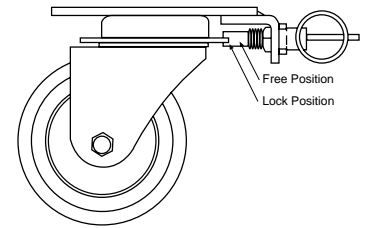
Operates by a foot pedal lever that has a rubber brake pad to form a positive brake action when the brake lever is pressed down to engage. To restore back to the normal position, simply reverse the action to disengage the brake. Easy to operate and trouble free. Not available in 2-1/2".

Radial Brake (RB)



Available on Darnell-Rose's most popular Medium Duty Industrial Casters. Exceptional brake for light and medium duty applications, either industrial or institutional. Side pedal engages tread lock to restrain wheel movement. Brake kit available for field installation. Not available in 2-1/2", 5-1/2", 6" or 8".

Four Position Swivel Lock (SL)



A horizontal four position swivel lock with a spring-loaded plunger to securely hold the swivel in the slotted position desired. Plunger can be put into a neutral position for free swiveling action.

MOLD-ON POLYURETHANE

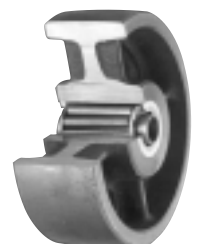
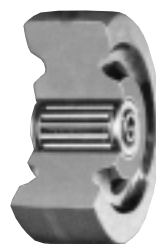
POLYURETHANE

THERMO PLASTIC RUBBER

PHENOLIC

POLYOLEFIN

CAST IRON



Diameter	Tread Width	Load Capacity	Wheel Material	Bearing	Swivel Part Number	Rigid Part Number	Approx. Weight	Overall Height	Swivel Radius
2 1/2	1 1/4	200	NEOPRENE RUBBER	ACETAL	62 1/2-20-PDN	62 1/2-20-PRDN	2	3-3/4	2-3/8
				BALL	62 1/2-20-XDN	62 1/2-20-XRDN			
		250	HI-CAP NEOPRENE	ACETAL	62 1/2-20-PKN	62 1/2-20-PRKN			
				BALL	62 1/2-20-XKN	62 1/2-20-XRKN			
		300	ADVANCED ELASTOMER	BALL	62 1/2-20-XAE	62 1/2-20-XRAE			
				DELTRIN	62 1/2-20-DAE	62 1/2-20-DRAE			
	400	CAST IRON	PLAIN	62 1/2-20-BCI	62 1/2-20-BRCI	2-1/2			
		HARD RUBBER	ACETAL	62 1/2-20-PH	62 1/2-20-PRH	2			
		POLYURETHANE / CAST IRON HUB	BALL	62 1/2-20-XADI-M-CI	62 1/2-20-XRADI-M-CI	2-1/2			
	1 3/8	125	EXTRA SOFT THERMO-PLASTIC RUBBER	BALL	62 1/2-20-DPD-M-P0-55	62 1/2-20-DRPD-M-P0-55	2		
				DELTRIN	62 1/2-20-DPD-M-P0-55	62 1/2-20-DRPD-M-P0-55			
		200	THERMO-PLASTIC RUBBER	BALL	62 1/2-20-XPD-M-PO	62 1/2-20-XRPD-M-PO			
				DELTRIN	62 1/2-20-DPD-M-PO	62 1/2-20-DRPD-M-PO			
		225	POLYOLEFIN	BALL	62 1/2-20-XPO	62 1/2-20-XRPO			
			PLAIN	62 1/2-20-BPO	62 1/2-20-BRPO				
300	POLYURETHANE / POLYOLEFIN HUB	BALL	62 1/2-20-XADI-M-PO	62 1/2-20-XRADI-M-PO					
		DELTRIN	62 1/2-20-DADI-M-PO	62 1/2-20-DRADI-M-PO					
3	1 1/4	175	EXTRA SOFT NEOPRENE	ACETAL	63-20-PEZN-RD	63-20-PREZN	2-1/4	4-5/16	2-3/4
				BALL	63-20-XEZN-RD	63-20-XREZN-RD			
		200	NEOPRENE RUBBER	ACETAL	63-20-PDN	63-20-PRDN			
				BALL	63-20-XDN	63-20-XRDN			
		250	HI-CAP NEOPRENE	ACETAL	63-20-PKN	63-20-PRKN			
				BALL	63-20-XKN	63-20-XRKN			
		400	ADVANCED ELASTOMER	BALL	63-20-XAE	63-20-XRAE			
				DELTRIN	63-20-DAE	63-20-DRAE			
			CAST IRON	BALL	63-20-XCI	63-20-XRCI			
			PLAIN	63-20-BCI	63-20-BRCI				
	HARD RUBBER	ACETAL	63-20-PH	63-20-PRH	2-1/4				
		BALL	63-20-XH	63-20-XRH					
		ROLLER	63-20-TPR	63-20-TRPR					
	POLYURETHANE / CAST IRON HUB	BALL	63-20-XADI-M-CI	63-20-XRADI-M-CI	3				
		PLAIN	63-20-BADI-M-CI	63-20-BRADI-M-CI					
	1 3/8	150	EXTRA SOFT THERMO-PLASTIC RUBBER	BALL	63-20-XPD-M-P0-55	63-20-XRDP-M-P0-55	3		
				DELTRIN	63-20-DPD-M-P0-55	63-20-DRPD-M-P0-55			
		225	THERMO-PLASTIC RUBBER	BALL	63-20-XPD-M-PO	63-20-XRPD-M-PO			
			DELTRIN	63-20-DPD-M-PO	63-20-DRPD-M-PO				
240		POLYOLEFIN	PLAIN	63-20-BPO	63-20-BRPO	2-1/4			
			BALL	63-20-XPO	63-20-XRPO				
300	POLYURETHANE / POLYOLEFIN HUB	BALL	63-20-XADI-M-PO	63-20-XRADI-M-PO	3				
	DELTRIN	63-20-DADI-M-PO	63-20-DRADI-M-PO						
3 1/2	1 1/8	200	STEEL DISC NEOPRENE	BALL	63 1/2-20-XDN-T-SD	63 1/2-20-XRDN-T-SD	2-1/4	4-3/4	3
		250	STEEL DISC HI-CAP NEOPRENE	BALL	63 1/2-20-XKN-T-SD	63 1/2-20-XRKN-T-SD			
		400	STEEL DISC POLYURETHANE	BALL	63 1/2-20-XADI-T-SD	63 1/2-20-XRADI-T-SD			
	1 1/4	200	NEOPRENE RUBBER	ACETAL	63 1/2-20-PDN	63 1/2-20-PRDN	2-1/4		
				BALL	63 1/2-20-XDN	63 1/2-20-XRDN			
		250	HI-CAP NEOPRENE	ACETAL	63 1/2-20-PKN	63 1/2-20-PRKN			
				BALL	63 1/2-20-XKN	63 1/2-20-XRKN			
		400	ADVANCED ELASTOMER	BALL	63 1/2-20-XAE	63 1/2-20-XRAE	3-1/4		
				DELTRIN	63 1/2-20-DAE	63 1/2-20-DRAE			
			CAST IRON	PLAIN	63 1/2-20-BCI	63 1/2-20-BRCI	2-1/4		
			HARD RUBBER	ACETAL	63 1/2-20-PH	63 1/2-20-PRH			
		PHENOLIC	BALL	63 1/2-20-XH	63 1/2-20-XRH	3-1/4			
	POLYURETHANE / CAST IRON HUB	ROLLER	63 1/2-20-TPR	63 1/2-20-TRPR					
		BALL	63 1/2-20-XADI-M-CI	63 1/2-20-XRADI-M-CI	3-1/4				
		PLAIN	63 1/2-20-BADI-M-CI	63 1/2-20-BRADI-M-CI					

Diameter	Tread Width	Load Capacity	Wheel Material	Bearing	Swivel Part Number	Rigid Part Number	Approx. Weight	Overall Height	Swivel Radius	
3 1/2	1 3/8	160	EXTRA SOFT-55A THERMO-PLASTIC RUBBER	BALL	63 1/2-20-XPD-M-PO-55	63 1/2-20-XRPD-M-PO-55	3-1/4	4-3/4	3	
			DELTRIN	63 1/2-20-DPD-M-PO-55	63 1/2-20-DRPD-M-PO-55					
		240	THERMO-PLASTIC RUBBER	BALL	63 1/2-20-XPD-M-PO	63 1/2-20-XRPD-M-PO	2-1/4			
			DELTRIN	63 1/2-20-DPD-M-PO	63 1/2-20-DRPD-M-PO					
		265	POLYOLEFIN	PLAIN	63 1/2-20-BPO	63 1/2-20-BRPO	3-1/4			
300	POLYOLEFIN	BALL	63 1/2-20-XPO	63 1/2-20-XRPO						
360	POLYURETHANE / POLYOLEFIN HUB	BALL	63 1/2-20-XADI-M-PO	63 1/2-20-XRADI-M-PO						
	DELTRIN	63 1/2-20-DADI-M-PO	63 1/2-20-DRADI-M-PO							
4	1 1/8	200	STEEL DISC NEOPRENE	BALL	64-20-XDN-T-SD	64-20-XRDN-T-SD	3-1/2	5-1/4	3-1/4	
			250	STEEL DISC HI-CAP NEOPRENE	BALL	64-20-XKN-T-SD				64-20-XRKN-T-SD
			400	STEEL DISC POLYURETHANE	BALL	64-20-XADI-T-SD				64-20-XRADI-T-SD
	1 1/4	175	EXTRA SOFT NEOPRENE	ACETAL	64-20-PEZN-RD	64-20-PREZN-RD	2-1/2			
			BALL	64-20-XEZN-RD	64-20-XREZN-RD					
		200	NEOPRENE RUBBER	ACETAL	64-20-PDN	64-20-PRDN				
			BALL	64-20-XDN	64-20-XRDN					
		ROUND DONUT / NEOPRENE	ACETAL	64-20-PDN-RD	64-20-PRDN-RD					
			BALL	64-20-XDN-RD	64-20-XRDN-RD					
		250	HI-CAP NEOPRENE	ACETAL	64-20-PKN	64-20-PRKN				
			BALL	64-20-XKN	64-20-XRKN					
		400	ADVANCED ELASTOMER	BALL	64-20-XAE	64-20-XRAE				
			DELTRIN	64-20-DAE	64-20-DRAE					
	CAST IRON		BALL	64-20-XCI	64-20-XRCI					
	PLAIN		64-20-BCI	64-20-BRCI						
	HARD RUBBER	ACETAL	64-20-PH	64-20-PRH						
		BALL	64-20-XH	64-20-XRH						
		ROLLER	64-20-TPR	64-20-TRPR						
	POLYURETHANE/CAST IRON HUB	BALL	64-20-XADI-M-CI	64-20-XRADI-M-CI						
	1 3/8	170	EXTRA SOFT-55A THERMO-PLASTIC RUBBER	BALL	64-20-XPD-M-PO-55	64-20-XRPD-M-PO-55	3-1/2			
DELTRIN			64-20-DPD-M-PO-55	64-20-DRPD-M-PO-55						
250		THERMO-PLASTIC RUBBER	BALL	64-20-XPD-M-PO	64-20-XRPD-M-PO	2-1/2				
		DELTRIN	64-20-DPD-M-PO	64-20-DRPD-M-PO						
375		POLYOLEFIN	PLAIN	64-20-BPO	64-20-BRPO					
		POLYOLEFIN	BALL	64-20-XPO	64-20-XRPO					
400	POLYURETHANE / POLYOLEFIN HUB	BALL	64-20-XADI-M-PO	64-20-XRADI-M-PO						
	DELTRIN	64-20-DADI-M-PO	64-20-DRADI-M-PO							
5	1 1/8	200	STEEL DISC NEOPRENE	BALL	65-20-XDN-T-SD	65-20-XRDN-T-SD	3-1/2	6-1/4	4-1/4	
			250	STEEL DISC HI-CAP NEOPRENE	BALL	65-20-XKN-T-SD				65-20-XRKN-T-SD
			400	STEEL DISC POLYURETHANE	BALL	65-20-XADI-T-SD				65-20-XRADI-T-SD
	1 1/4	175	EXTRA SOFT NEOPRENE	ACETAL	65-20-PEZN-RD	65-20-PREZN-RD	3			
			BALL	65-20-XEZN-RD	65-20-XREZN-RD					
		200	NEOPRENE RUBBER	ACETAL	65-20-PDN	65-20-PRDN				
			BALL	65-20-XDN	65-20-XRDN					
		250	HI-CAP NEOPRENE	ACETAL	65-20-PKN	65-20-PRKN				
			BALL	65-20-XKN	65-20-XRKN					
		400	ADVANCED ELASTOMER	BALL	65-20-XAE	65-20-XRAE				
			DELTRIN	65-20-DAE	65-20-DRAE					
			CAST IRON	BALL	65-20-XCI	65-20-XRCI				
			PLAIN	65-20-BCI	65-20-BRCI					
	HARD RUBBER		ACETAL	65-20-PH	65-20-PRH					
	BALL		65-20-XH	65-20-XRH						
	ROLLER	65-20-TPR	65-20-TRPR							
	POLYURETHANE/CAST IRON HUB	BALL	65-20-XADI-M-CI	65-20-XRADI-M-CI						
	1 3/8	180	EXTRA SOFT-55A THERMO-PLASTIC RUBBER	BALL	65-20-XPD-M-PO-55	65-20-XRPD-M-PO-55	4			
			DELTRIN	65-20-DPD-M-PO-55	65-20-DRPD-M-PO-55					
		275	THERMO-PLASTIC RUBBER	BALL	65-20-XPD-M-PO	65-20-XRPD-M-PO	3			
DELTRIN			65-20-DPD-M-PO	65-20-DRPD-M-PO						
400		POLYOLEFIN	BALL	65-20-XPO	65-20-XRPO					
		POLYURETHANE / POLYOLEFIN HUB	BALL	65-20-XADI-M-PO	65-20-XRADI-M-PO					
DELTRIN	65-20-DADI-M-PO	65-20-DRADI-M-PO								
440	POLYOLEFIN	PLAIN	65-20-BPO	65-20-BRPO	3					
5 1/2	1 1/2	200	EXTRA SOFT NEOPRENE	BALL	65 1/2-20-XEZN-RD	65 1/2-20-XREZN-RD	3-1/2	6-7/8	4-3/4	

Diameter	Tread Width	Load Capacity	Wheel Material	Bearing	Swivel Part Number	Rigid Part Number	Approx. Weight	Overall Height	Swivel Radius
6	1 1/8	200	STEEL DISC NEOPRENE	BALL	66-20-XDN-T-SD	66-20-XRDN-T-SD	4-1/4	7-3/8	5-1/4
		250	STEEL DISC HI-CAP NEOPRENE	BALL	66-20-XKN-T-SD	66-20-XRKN-T-SD			
		400	STEEL DISC POLYURETHANE	BALL	66-20-XADI-T-SD	66-20-XRADI-T-SD			
	1 1/4	200	EXTRA SOFT NEOPRENE	ACETAL	66-20-PEZN-RD	66-20-PREZN-RD	3-3/4		
			NEOPRENE RUBBER	ACETAL	66-20-PDN	66-20-PRDN			
		275	HI-CAP NEOPRENE	ACETAL	66-20-PKN	66-20-PRKN	4-1/2		
				BALL	66-20-XKN	66-20-XRKN			
			CAST IRON	BALL	66-20-XCI	66-20-XRCI			
		400	HARD RUBBER	ACETAL	66-20-PH	66-20-PRH	4-1/2		
				BALL	66-20-XH	66-20-XRH			
			POLYURETHANE / CAST IRON HUB	BALL	66-20-XADI-M-CI	66-20-XRADI-M-CI			
				DELTRIN	66-20-DADI-M-PO	66-20-DRADI-M-PO			
	1 3/8	190	EXTRA SOFT-55A THERMO-PLASTIC RUBBER	BALL	66-20-XPDI-M-PO-55	66-20-XRPDI-M-PO-55	4-1/2		
			DELTRIN	66-20-DPDI-M-PO-55	66-20-DRPDI-M-PO-55				
		300	THERMO-PLASTIC RUBBER	BALL	66-20-XPDI-M-PO	66-20-XRPDI-M-PO			
				DELTRIN	66-20-DPDI-M-PO	66-20-DRPDI-M-PO			
		400	POLYOLEFIN	BALL	66-20-XPO	66-20-XRPO			
				PLAIN	66-20-BPO	66-20-BRPO			
POLYURETHANE / POLYOLEFIN HUB	BALL	66-20-XADI-M-PO	66-20-XRADI-M-PO						
DELTRIN	66-20-DADI-M-PO	66-20-DRADI-M-PO							
8	1 1/16	200	EXTRA SOFT NEOPRENE	BALL	68-20-XEZN-RD	68-20-XREZN-RD	5-1/2	9-7/16	6-3/8