

CR-II SERIES

Light Duty
Shock Absorbing

Load Capacity: 110 lbs.

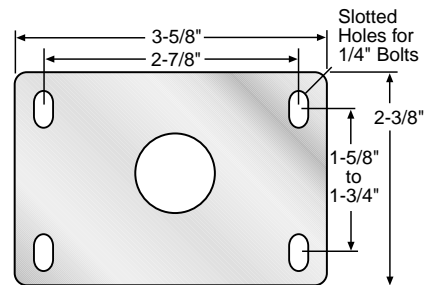
Quality Features

The CR-II-3 is a shock absorbing caster specifically designed for equipment which must be protected from shock and vibration. This unique design gives vertical deflection in response to a light load, but also provides protection against heavier shock loads. If a unit is dropped or subjected to a sudden load, the caster will provide smooth shock absorption and will not suddenly hit bottom or abruptly come to the limit of its spring system.

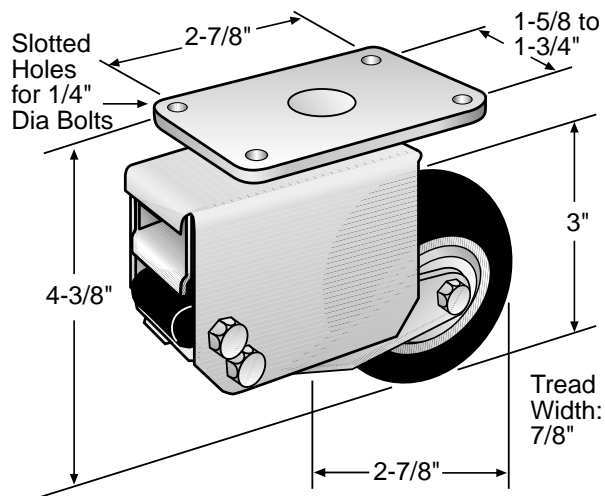
CR-II-3



TOP PLATE



#13



NEOPRENE RUBBER



HI-CAP NEOPRENE

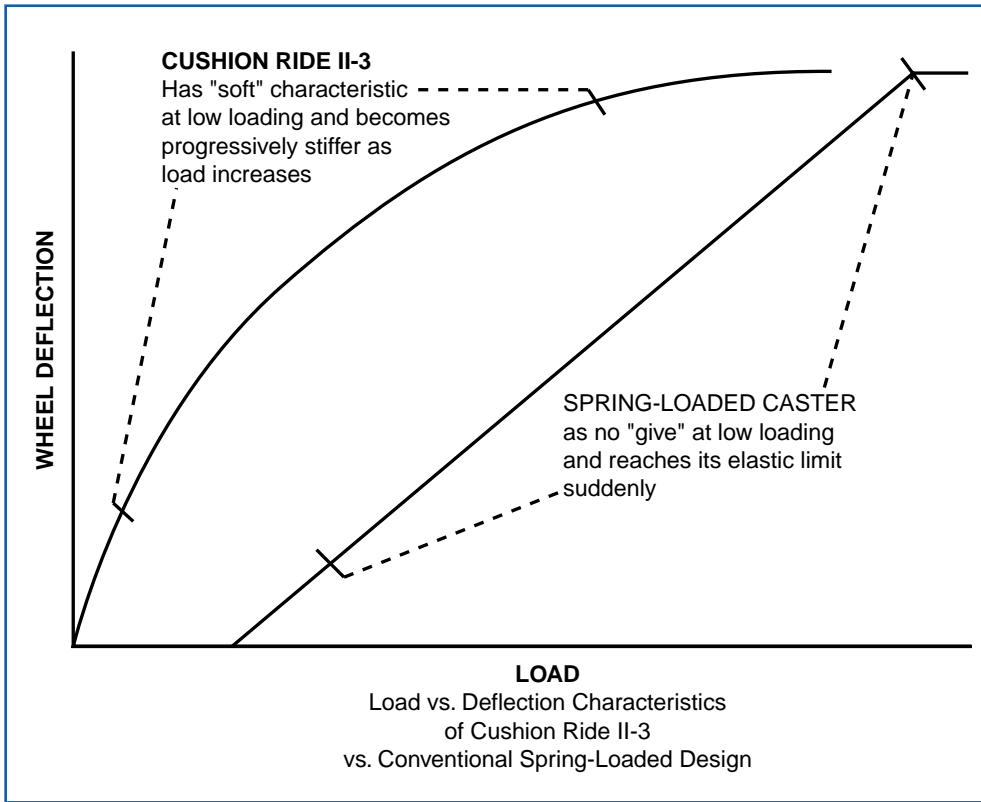


EXTRA-SOFT NEOPRENE



HARD RUBBER





CR-II-3 Series

Diameter	Tread Width	Load Capacity	Wheel Material	Bearing	Swivel Part Number	Rigid Part Number	Approx. Weight	Overall Height	Swivel Radius	
3	7/8	110	EXTRA SOFT NEOPRENE	ACETAL	CR-II-3-PEZN-RD	CR-II-3-PREZN-RD	2-1/4	4-3/8	2-7/8	
				BALL	CR-II-3-XEZN-RD	CR-II-3-XREZN-RD				
			NEOPRENE RUBBER	ACETAL	CR-II-3-PDN	CR-II-3-PRDN				
				BALL	CR-II-3-XDN	CR-II-3-XRDN				
			125	HI-CAP NEOPRENE	ACETAL	CR-II-3-PKN				CR-II-3-PRKN
					BALL	CR-II-3-XKN				CR-II-3-XRKN
		HARD RUBBER		ACETAL	CR-II-3-PH	CR-II-3-PRH				
			BALL	CR-II-3-XH	CR-II-3-XRH					