

GHKU-SPR

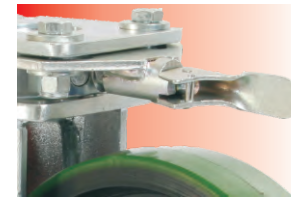
SERIES



Swivel Head Section



Wheel Face Brake



Directional Lock

2,000 Lbs. Load Capacity

Kingpinless Forged Spring Loaded Casters

Single Piece Drop Forged AISI 1045 Steel Top Plate and Fork base

Precision CNC Machined Raceways and Induction Hardened ensure swivel head longevity

Totally Sealed Swivel Head with grease nipple

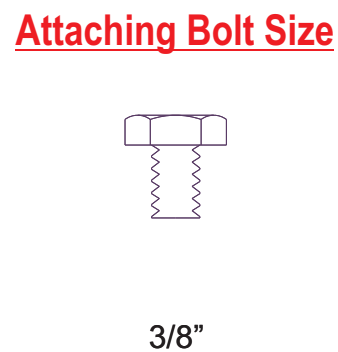
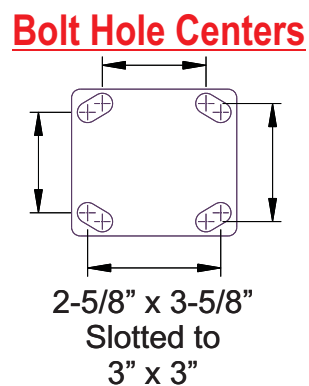
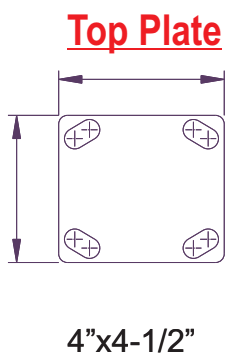
Strong Elastomeric Spring Elements Designed for specific load ranges ensure Uniform Cushion Effect through the load range

Specific Elastomeric Spring Elements available to suit different load ranges.

1/4" Thick Legs Robotically Welded Inside and Outside

1/2" Wheel Axle

4 Position Directional Lock Slots Finish : Bright Zinc Plated



‘GHKU-SPR’ SERIES CASTERS WITH ‘SAS’ SERIES HIGH LOAD CAPACITY POLYURETHANE WHEELS

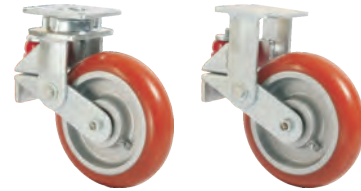
- High Load Capacity Liquid Cast Premium Polyurethane Wheels 93 + 3 Shore A
- Polyurethane firmly bonded to precision machined Cast Iron Core
- Low rolling resistance, Smooth and Noiseless running.
- Non-Marking and floor protective.
- High Abrasion, Cut and Tear resistant
- 100% tested and guaranteed against Bond Failures.
- Bearing Options: Precision Ball Bearings; Tapered Roller Bearings
Roller Bearings
- Temperature Range: -40°F to + 180°F



Part No. Swivel Caster	Part No. Swivel with Wheel Brake	Part No. Rigid Caster	Wheel Dia (inch)	Tread Width (inch)	Load Capacity (Lbs)	Overall Height Unloaded (inch)	Overall Height Fully Loaded (inch)	Swivel Radius (inch)	Swivel Radius with Wheel Brake (inch)
GHKU-SPR-42S-SAS	GHKU-SPR-42S-SAS-WFB	GHKU-SPR-42R-SAS	4	2	900	6-1/2	5-3/4	4-1/2	4-1/2
GHKU-SPR-52S-SAS	GHKU-SPR-52S-SAS-WFB	GHKU-SPR-52R-SAS	5	2	1200	7-1/8	6-1/4	5-5/8	5-5/8
GHKU-SPR-62S-SAS	GHKU-SPR-62S-SAS-WFB	GHKU-SPR-62R-SAS	6	2	1650	8	7-1/4	6-1/2	6-1/2
GHKU-SPR-82S-SAS	GHKU-SPR-82S-SAS-WFB	GHKU-SPR-82R-SAS	8	2	2000	10-1/8	9-3/8	7-1/8	7-1/8

‘GHKU-SPR’ SERIES CASTERS WITH ‘ME’ SERIES ERGONOMIC WHEELS

- Ergonomic Premium Polyurethane Wheels for low Push-Pull Efforts
- Polyurethane 93 ± 3 Shore A mechanically and chemically bonded to precision machined cores.
- Non-Marking and floor protective.
- 100% Tested and Guaranteed against bond failures
- Tread Options : Softer 80A – Yellow Tread (Specify ME-Z) and Harder 73D –Blue Tread (Specify ME-F)
- Bearing Options:- Precision Ball Bearings; Tapered Roller Bearings
Roller Bearings;
- Temperature Range:- -40° F to + 180° F



Part No. Swivel Caster	Part No. Swivel with Wheel Brake	Part No. Rigid Caster	Wheel Dia (inch)	Tread Width (inch)	Load Capacity (Lbs)	Overall Height Unloaded (inch)	Overall Height Fully Loaded (inch)	Swivel Radius (inch)	Swivel Radius with Wheel Brake (inch)
GHKU-SPR-42S-ME	GHKU-SPR-42S-ME-WFB	GHKU-SPR-42R-ME	4	2	775	6-1/2	5-3/4	4-1/2	4-1/2
GHKU-SPR-52S-ME	GHKU-SPR-52S-ME-WFB	GHKU-SPR-52R-ME	5	2	1000	7-1/8	6-1/4	5-5/8	5-5/8
GHKU-SPR-62S-ME	GHKU-SPR-62S-ME-WFB	GHKU-SPR-62R-ME	6	2	1250	8	7-1/4	6-1/2	6-1/2
GHKU-SPR-82S-ME	GHKU-SPR-82S-ME-WFB	GHKU-SPR-82R-ME	8	2	1700	10-1/8	9-3/8	7-1/8	7-1/8

‘GHKU-SPR’ SERIES CASTERS WITH ‘SZS’ SERIES THICK TREADED ELASTIC URETHANE WHEELS

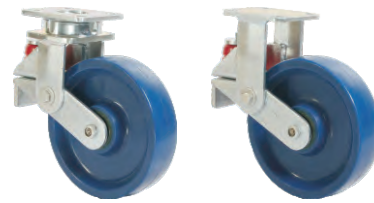
- Elastic 85±3 Shore A Liquid Cast Polyurethane firmly bonded to Cast Iron Core
- Reduced noise due to cushioning of loads,
- Lively Polyurethane allows wheels to 'Flex and Roll' over debris
- Excellent for power towing applications
- Non-Marking and floor protective.
- 100% Tested and Guaranteed against bond failures
- Bearing Options:- Precision Ball Bearings; Tapered Roller Bearings
Roller Bearings
- Temperature Range:- -40° F to + 180° F



Part No. Swivel Caster	Part No. Swivel with Wheel Brake	Part No. Rigid Caster	Wheel Dia (inch)	Tread Width (inch)	Load Capacity (Lbs)	Overall Height Unloaded (inch)	Overall Height Fully Loaded (inch)	Swivel Radius (inch)	Swivel Radius with Wheel Brake (inch)
GHKU-SPR-42S-SZS	GHKU-SPR-42S-SZS-WFB	GHKU-SPR-42R-SZS	4	2	550	6-1/2	5-3/4	4-1/2	4-1/2
GHKU-SPR-52S-SZS	GHKU-SPR-52S-SZS-WFB	GHKU-SPR-52R-SZS	5	2	775	7-1/8	6-1/4	5-5/8	5-5/8
GHKU-SPR-62S-SZS	GHKU-SPR-62S-SZS-WFB	GHKU-SPR-62R-SZS	6	2	1000	8	7-1/4	6-1/2	6-1/2
GHKU-SPR-82S-SZS	GHKU-SPR-82S-SZS-WFB	GHKU-SPR-82R-SZS	8	2	1450	10-1/8	9-3/8	7-1/8	7-1/8

'GHKU-SPR' SERIES CASTERS WITH 'SFS' SERIES SOLID ELASTOMER WHEELS

- The Ultimate Real Solid Elastomer Wheels exclusively developed by Muvtons Premium Liquid Cast 73 ± 3 Shore D Polyurethane locked mechanically to a non-corrosive metallic core that holds the precision bearings and provides structural rigidity.
- Resist compression set and provide excellent resilience for easy movement
- Non-Marking and floor protective
- Can be used for corrosive applications with suitable bearings.
- 100% Tested and Guaranteed against failures
- Bearing Options:- Precision Ball Bearings; Tapered Roller Bearings
Roller Bearings
- Temperature Range:- -40° F to + 180° F



Part No. Swivel Caster	Part No. Swivel with Wheel Brake	Part No. Rigid Caster	Wheel Dia (inch)	Tread Width (inch)	Load Capacity (Lbs)	Overall Height Unloaded (inch)	Overall Height Fully Loaded (inch)	Swivel Radius (inch)	Swivel Radius with Wheel Brake (inch)
GHKU-SPR-42S-SFS	GHKU-SPR-42S-SFS-WFB	GHKU-SPR-42R-SFS	4	2	850	6-1/2	5-3/4	4-1/2	4-1/2
GHKU-SPR-52S-SFS	GHKU-SPR-52S-SFS-WFB	GHKU-SPR-52R-SFS	5	2	1100	7-1/8	6-1/4	5-5/8	5-5/8
GHKU-SPR-62S-SFS	GHKU-SPR-62S-SFS-WFB	GHKU-SPR-62R-SFS	6	2	1500	8	7-1/4	6-1/2	6-1/2
GHKU-SPR-82S-SFS	GHKU-SPR-82S-SFS-WFB	GHKU-SPR-82R-SFS	8	2	1750	10-1/8	9-3/8	7-1/8	7-1/8

'GHKU-SPR' SERIES CASTERS WITH 'SJS' SERIES POLYURETHANE WHEELS

- Liquid Cast Polyurethane 93 ± 3 Shore A firmly bonded to precision machined Cast Iron Cores.
- Low rolling resistance; Smooth and noiseless running
- Non-Marking and floor protective
- Good Abrasion and cut resistance
- 100% Tested and Guaranteed against bond failures
- Ideal for medium duty applications
- Bearing Options:- Precision Ball Bearings; Tapered Roller Bearings
Roller Bearings
- Temperature Range: -40° F to +180° F



Part No. Swivel Caster	Part No. Swivel with Wheel Brake	Part No. Rigid Caster	Wheel Dia (inch)	Tread Width (inch)	Load Capacity (Lbs)	Overall Height Unloaded (inch)	Overall Height Fully Loaded (inch)	Swivel Radius (inch)	Swivel Radius with Wheel Brake (inch)
GHKU-SPR-42S-SJS	GHKU-SPR-42S-SJS-WFB	GHKU-SPR-42R-SJS	4	2	700	6-1/2	5-3/4	4-1/2	4-1/2
GHKU-SPR-52S-SJS	GHKU-SPR-52S-SJS-WFB	GHKU-SPR-52R-SJS	5	2	1000	7-1/8	6-1/4	5-5/8	5-5/8
GHKU-SPR-62S-SJS	GHKU-SPR-62S-SJS-WFB	GHKU-SPR-62R-SJS	6	2	1200	8	7-1/4	6-1/2	6-1/2
GHKU-SPR-82S-SJS	GHKU-SPR-82S-SJS-WFB	GHKU-SPR-82R-SJS	8	2	1500	10-1/8	9-3/8	7-1/8	7-1/8

'GHKU-SPR' SERIES CASTERS WITH 'SEB' SERIES HEAVY DUTY MOLDON RUBBER WHEELS

- Elastic Rubber tired wheels chemically bonded to precision machined Cast Iron Cores.
- Highly resilient 75 ± 5 Shore A rubber.
- Smooth and silent running in power towing applications.
- Bearing Options:- Precision Ball Bearings; Tapered Roller Bearings
Roller Bearings
- Temperature Range: -40° F to +180° F



Part No. Swivel Caster	Part No. Swivel with Wheel Brake	Part No. Rigid Caster	Wheel Dia (inch)	Tread Width (inch)	Load Capacity (Lbs)	Overall Height Unloaded (inch)	Overall Height Fully Loaded (inch)	Swivel Radius (inch)	Swivel Radius with Wheel Brake (inch)
GHKU-SPR-42S-SEB	GHKU-SPR-42S-SEB-WFB	GHKU-SPR-42R-SEB	4	2	460	6-1/2	5-3/4	4-1/2	4-1/2
GHKU-SPR-52S-SEB	GHKU-SPR-52S-SEB-WFB	GHKU-SPR-52R-SEB	5	2	600	7-1/8	6-1/4	5-5/8	5-5/8
GHKU-SPR-62S-SEB	GHKU-SPR-62S-SEB-WFB	GHKU-SPR-62R-SEB	6	2	775	8	7-1/4	6-1/2	6-1/2
GHKU-SPR-82S-SEB	GHKU-SPR-82S-SEB-WFB	GHKU-SPR-82R-SEB	8	2	1000	10-1/8	9-3/8	7-1/8	7-1/8