

### APPLICATIONS

This Fume Exhauster-Blower is designed for continuous operation. With the hose on the inlet, fumes and smoke are drawn away from the operator at welding, soldering, brazing and etching operations. Switch the same hose to the discharge to supply fresh air for workers inside tanks, manholes and other confined areas. One Fume Exhauster-Blower does the job of two fans.

### EXHAUSTER-BLOWER BENEFITS

- Frame is designed for portable or stationary mounting.
- Tote handle, 10 feet of PVC hose and steel nozzle are standard.
- Same hose fits on inlet to exhaust and on discharge to blow.
- **EBR** models are AMCA Type B spark resistant, with inlet & outlet guards. **EBM** models are AMCA Type C spark resistant, with inlet & outlet guards.
- 3 Rubber pads under base to eliminate creeping during operation.
- **EBR** models have a cast aluminum wheel and a 14 gauge steel blower housing with a powder coated, gloss black finish.
- **EBM** models have a steel, forward curve multi-vane wheel and a cast aluminum blower housing.
- All models proudly made in the U.S.A. **Not imported.**

### MOTOR BENEFITS

- Totally Enclosed (TEFC or TENV) motors are standard. EXP motors available on all models except EBR-200 with a single phase motor.
- Standard motors are 115/230 Volt, 1 Phase, 60 Cycle or 230/460 volt, 3 Phase, 60 Cycle. 575 Volt and 50 Cycle motors are also available.
- Switch, 8 foot cord and 115 volt, three prong grounded plug standard on all single phase, 60 cycle, TEFC, 1/4 to 1 Horsepower motors.
- All motors are continuous duty with sealed ball bearings. No bearing lubrication is required.
- All motors are UL and CSA listed.

### Specifications

Model No.	Motor		Max. CFM ①	Max. SP ②	Air Velocity (FPM)	dBA @ 5 Ft.	Material Type		Wheel Size	Inlet & Outlet Size	Hose Size	Nozzle Open Size	Full Load Amps ③		Approx. Ship. Weight ④
	HP	RPM					Housing	Wheel					115 Volt 1 Phase	230/460 V 3 Phase	
EBR-50	1/2	3450	395	5.3"	4524	72	14 Gauge Steel	Cast Alum. Radial	9 x 27/8	4"	4" x 120"	4" x 8"	6.8	1.9/.95	62
EBR-75	3/4	3450	660	4.5"	3360	80			9 x 27/8	6"	6" x 120"	8" x 8"	8.8	2.4/1.2	73
EBR-100	1	3450	785	7.3"	3996	82			11 x 3 BC	6"	6" x 120"	8" x 8"	11.2	3.2/1.6	77
EBR-150	1 1/2	3450	885	7.9"	4506	83			11 x 23/4	6"	6" x 120"	8" x 8"	16.0	4.4/2.2	84
EBR-200	2	3450	985	9.8"	5015	85			12 x 27/8	6"	6" x 120"	8" x 8"	20.0	5.6/2.8	98
EBM-25	1/4	1750	340	1.0"	1731	69	Cast Alum.	Steel Multi-vane	6.3 x 3.5	6"	6" x 120"	8" x 8"	5.4	1.3/.65	53
EBM-75	3/4	1750	910	2.3"	2606	74			8.3 x 4.1	8"	8" x 120"	8" x 8"	11.0	3.0/1.5	75
EBM-100	1	3450	670	3.7"	3411	69			6.3 x 3.5	6"	6" x 120"	8" x 8"	11.2	3.2/1.6	64

Maximum CFM with 10 feet of hose and nozzle on the inlet or discharge. **Removing the hose and nozzle will overload the motor.**

- Maximum additional static pressure at which point there will be no airflow. SP (static pressure) is measured in inches of water gauge (SPWG).
- Starting amps are approximately 6-7 times the full load amps. Full load amps shown are subject to change with motor types and/or vendors. All 1/4 to 1 Horsepower, 1 Phase, TEFC motors come with an 8 foot cord, 3 prong grounded plug and switch pre-wired for 115 Volt, 1 Phase, 60 Hertz.
- Approximate gross weights with standard TEFC motors. EXP motors will increase the weight. Weights subject to change without notice.

### Exhausting contaminated air

If you will be using this blower to exhaust contaminated air from an operation such as welding, the fumes collected should be piped to the outside. Locate the unit as close as possible to both the operation and the outside of the building. The airflow will be reduced about 5-15 CFM for every additional foot of hose or duct installed, not including the 10 foot section of hose supplied with the unit. Each 90° change in air flow direction (as with an elbow) will reduce the airflow approximately 15-20 CFM.

### Suggested Welding Nozzle Locations

WELDING ZONE	Minimum CFM ▲	
	Plain Duct	Flanged Nozzle or Cone Nozzle
Up to 6" from arc or torch	335	250
6" to 9" from arc or torch	755	560
9" to 12" from arc or torch	1335	1000

▲ Per American Conference of Governmental Industrial Hygienists in the Industrial Ventilation Manual of Recommended Practices.

### ! DANGER

All fans & blowers shown have rotating parts and pinch points. Severe personal injury can result if operated without guards. High electrical voltage can cause severe injury or death. Disconnect or lock out from power source and let motor come to a complete stop before inspecting, servicing or moving.

### Supplying fresh air:

Supplying fresh air to workers can be a simple operation or a very complex problem. If the worker is in a room, the required fresh air supply is generally an easy calculation. If the worker will be in an underground tank or manhole, the fresh air requirements can be a very complex problem. If there are caustic, flammable, or explosive chemicals, materials and/or air saturations present, that makes the problem that more difficult.

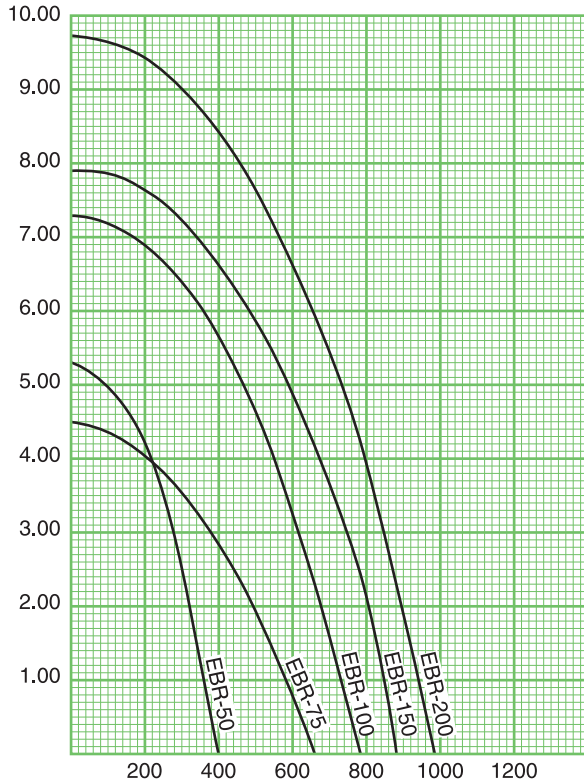
### ! DANGER

**Before** any person is permitted to enter a tank, manhole or other confined space, the proper ventilation equipment must be in place and operating properly. Selection of the proper fresh air supply equipment must meet all applicable safety standards for the operation(s) that will be performed in the confined space. The presence of any caustic, flammable or explosive materials, either previously or currently in the confined space, must be considered in the proper selection of the ventilation equipment. The same criteria must be used in selecting the proper motor that will be driving the ventilation equipment. The ventilation equipment must also be located the proper distance away from the confined space so it will not recirculate exhausted air from the confined space. **Consult your local fire department and OSHA for assistance.**

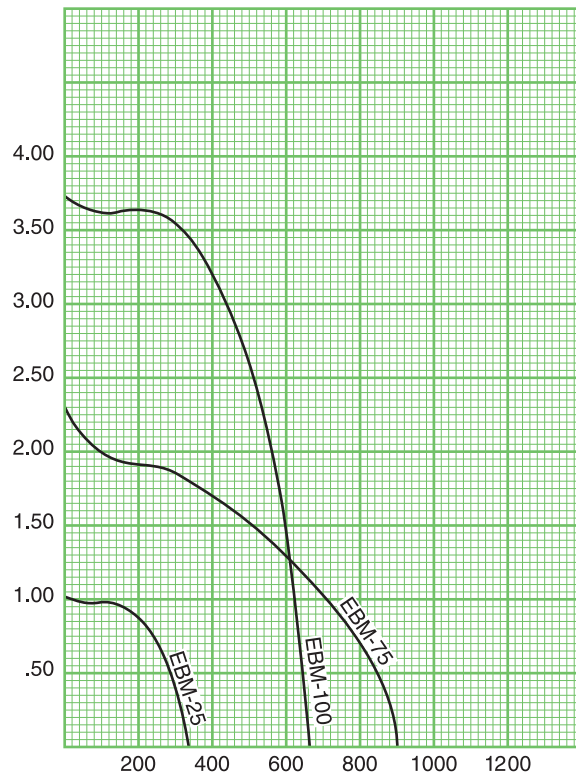
## PERFORMANCE CURVES

Fume Exhauster-Blower performance was derived from data as tested per AMCA Standard 210. All models were tested with 10 feet of flexible hose and a nozzle mounted on the inlet, and with inlet and discharge guards installed.

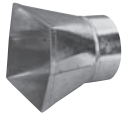
EBR Models



EBM Models



# ACCESSORY PARTS



Type A Square

## Suction Nozzles

PART NO.	HOSE SIZE	NOZZLE OPENING
51014	3"	4" x 4"
51012	4"	4" x 8"
51030	6"	8" x 8"
51031	8"	8" x 8"

Material: 26 gauge galvanized steel

## "Y" Connectors for 2 Hoses



PART NO.	SIZE
51007	4" to 3" x 3"
51005	6" to 4" x 4"
51001	8" to 6" x 6"

With draw lug on large end.  
Material: 26 gauge galvanized steel.

## Flexible PVC Hose

Temp. range: +20° F. to +160° F.



PART NO.	SIZE I.D. x Length
31623	3" x 60" long
31624	4" x 60" long
31626	6" x 60" long
31627	8" x 60" long
31628	4" x 120" long
31629	6" x 120" long
31630	8" x 120" long



## Hose Kits

2: clamps, 1: sleeve and 1: 60" long hose

PART NO.	SIZE
31053	3"
31054	4"
31056	6"
31327	8"

## Hose Clamps

Carbon steel band and screw.



PART NO.	NOM. SIZE	Adjust. Range	
		Min.	Max.
31013	3"	1 <sup>5</sup> / <sub>16</sub> "	3 <sup>3</sup> / <sub>4</sub> "
31379	4"	2 <sup>5</sup> / <sub>8</sub> "	4 <sup>1</sup> / <sub>2</sub> "
31244	6"	4"	7"
31019	8"	2 <sup>1</sup> / <sub>2</sub> "	8 <sup>1</sup> / <sub>2</sub> "

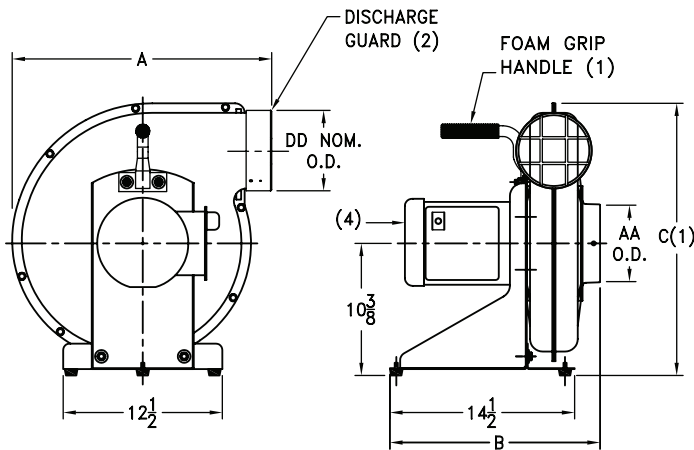


## Hardware Kits

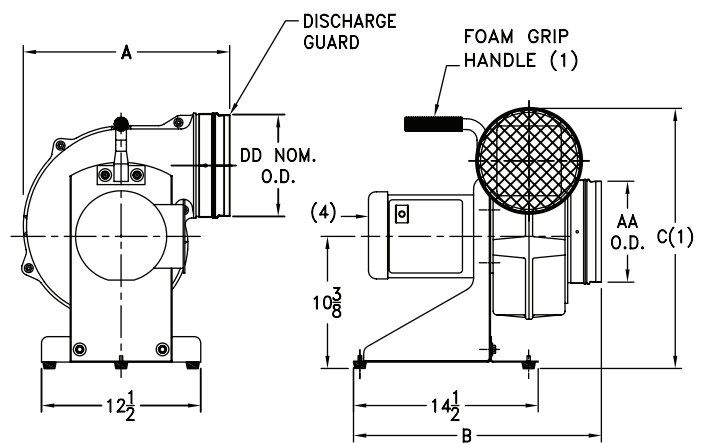
2: clamps and 1: sleeve

PART NO.	SIZE
31643	3"
31644	4"
31646	6"
31647	8"

# DIMENSIONS



MODELS EBR-50 THRU EBR-200



MODELS EBM-25, EBM-75 AND EBM-100

### Notes:

- (1) On Models EBR-50, EBM-25 and EBM-100, the tote handle extends above the "C" Dimension.
- (2) Model EBR-50 has the same type discharge guard as the EBM models.
- (3) These models (with 1 phase, 60 Hz., TEFC motors only) include an on/off switch, 8-foot cord and 3-prong plug prewired for 115 volts.
- (4) Length of motor may extend past end of base on some models.

MODEL NO.	AA	DD	A	B	C
EBR-50 (3)	4	4	17 <sup>1</sup> / <sub>2</sub>	16	18 <sup>3</sup> / <sub>4</sub>
EBR-75 (3)	6	6	21 <sup>1</sup> / <sub>2</sub>	16 <sup>1</sup> / <sub>2</sub>	21 <sup>3</sup> / <sub>8</sub>
EBR-100 (3)	6	6	21 <sup>1</sup> / <sub>2</sub>	16 <sup>1</sup> / <sub>2</sub>	21 <sup>3</sup> / <sub>8</sub>
EBR-150	6	6	21 <sup>1</sup> / <sub>2</sub>	16 <sup>1</sup> / <sub>2</sub>	21 <sup>3</sup> / <sub>8</sub>
EBR-200	6	6	21 <sup>1</sup> / <sub>2</sub>	16 <sup>1</sup> / <sub>2</sub>	21 <sup>3</sup> / <sub>8</sub>
EBM-25 (3)	6	6	13 <sup>3</sup> / <sub>4</sub>	18 <sup>1</sup> / <sub>4</sub>	17 <sup>7</sup> / <sub>8</sub>
EBM-75 (3)	8	8	16 <sup>1</sup> / <sub>4</sub>	19 <sup>3</sup> / <sub>8</sub>	20 <sup>1</sup> / <sub>2</sub>
EBM-100 (3)	6	6	13 <sup>3</sup> / <sub>4</sub>	18 <sup>1</sup> / <sub>4</sub>	17 <sup>7</sup> / <sub>8</sub>

## LIMITED WARRANTY

Cincinnati Fan and Ventilator Co. warrants products of its own manufacture against defects of material and workmanship under normal use and service for a period of eighteen (18) months from date of shipment or twelve (12) months from date of installation, whichever occurs first. This warranty does not apply to any of Seller's products or any part thereof which has been subject to ordinary wear and tear, accident, abuse, misuse, overloading, negligence or alteration. This warranty does not cover systems or materials not of Seller's manufacture. Expenses incurred by Buyer(s) in repairing or replacing any defective product will not be allowed except where authorized in writing and signed by an officer of the Seller.

The obligation of the Seller under this warranty shall be limited to repairing or replacing F.O.B. Seller's plant, or allowing credit at Seller's option. **THIS WARRANTY IS EXPRESSLY IN LIEU OF ALL OTHER WARRANTIES EXPRESSED OR IMPLIED INCLUDING THE WARRANTIES OF MERCHANTABILITY AND FITNESS FOR USE AND OF ALL OTHER OBLIGATIONS AND LIABILITIES OF THE SELLER. THE BUYER ACKNOWLEDGES THAT NO OTHER REPRESENTATIONS WERE MADE TO HIM OR RELIED UPON HIM WITH RESPECT TO THE QUALITY OR FUNCTION OF THE PRODUCTS HEREIN SOLD.**

The Seller shall not be liable for any special, direct, indirect, or consequential damages to Buyer(s) or anyone else by reason of any loss or any damage to any property or material processed by Buyer(s) with the products or on account of the character or quality of any property or material processed by Buyer(s) with the product. On products furnished by Seller, but manufactured by others, such as motors, Seller extends the same warranty as Seller received from the manufacturer thereof.

## RETURNS

Cincinnati Fan & Ventilator Co. assumes no responsibility for material returned to our plant without our permission. An RMA (Return Material Authorization) number must be obtained and clearly shown on the outside of the carton and all shipments must be freight prepaid. Failure to comply will result in refusal of shipment at our receiving department.

## SAFETY FEATURES

All Cincinnati Fan Fume Exhauster-Blowers have safety guards mounted in or on the inlet and discharge of the blower housing.

**DO NOT OPERATE THE BLOWER WITHOUT THE SAFETY GUARDS IN PLACE. Removal of the guards for any reason, voids all warranty and liability. Disconnect or lock-out the power source and let the motor come to a complete stop before inspecting or servicing.**



7697 Snider Road, Mason, OH 45040-9135

Visit us at [www.cincinnati-fan.com](http://www.cincinnati-fan.com) for more information