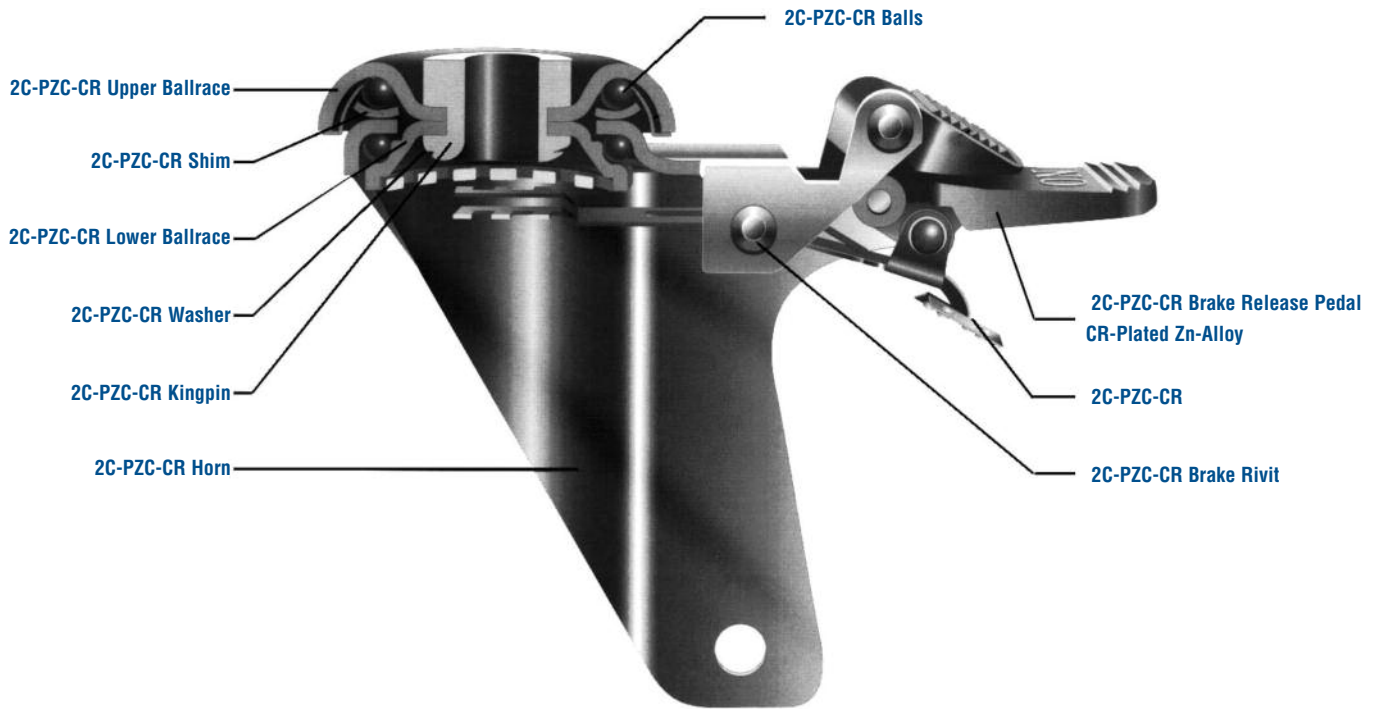


2C-PZC-CR Polished Zinc Chrome

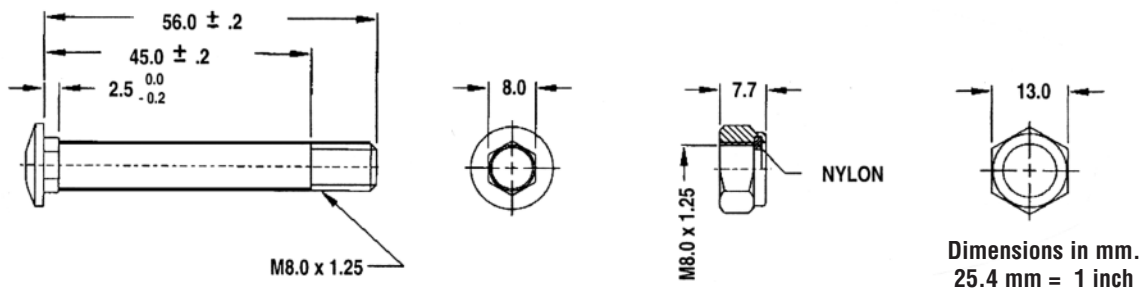
Best Value Standard & Stainless Steel Institutional Casters for Every Application

- AALAS
 - Animal Cages
 - Hotel & Catering Equipment
 - Movable Hi-tech Products
- Institutional Equipment
 - Movable Furniture
 - Medical Equipment
 - Kitchen Equipment
- Laboratories
 - Clean Room
 - Apparatus
 - Trollys

2C-PZC-CR POLISHED ZINC CHROMATIZED pressed steel double ballrace swivel yoke



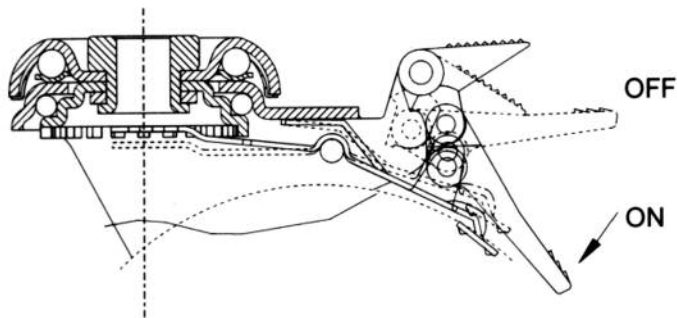
2C-PZC-CR AXLE & NUT (STANDARD STEEL)



2C-PZC-CR Polished Zinc Chrome

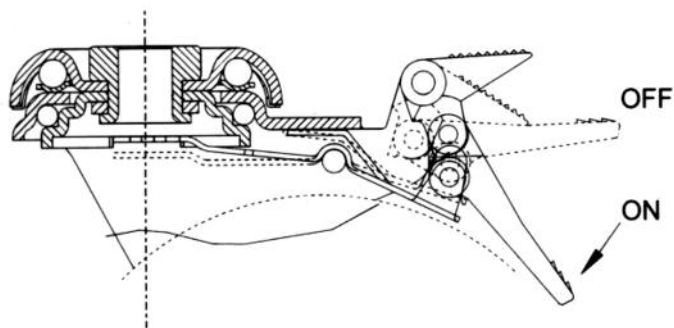
SL/WB: TOTAL LOCKING BRAKE

All 75 mm (3"), 100 mm (4"), 125 mm (5"), 150 mm (6") casters. Easily engaged total locking operated brake pedal mechanically locks both swivel and wheel rotation.



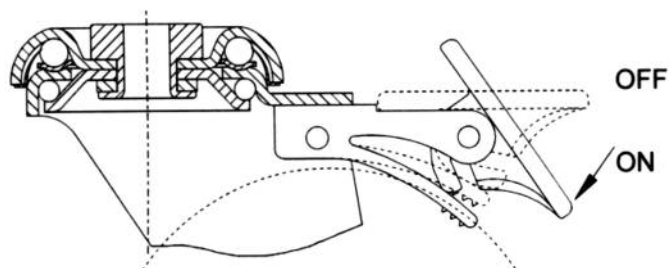
DL: DIRECTIONAL LOCKING BRAKE

All 100 mm (4"), 125 mm (5"), 150 mm (6") casters. Swivel locked in steering position but wheel remains free, this assures directional stability and straight-line tracking.



WB: WHEEL BRAKE

100 x 32 mm (4" x 1-1/4") & 125 x 32 mm (5" x 1-1/4") casters with soft tread (ERN, ERS, and TRB wheels). Wheel locking pedal brake mechanically locks wheel rotation, swivel remains free.



2C-PZC-CR Polished Zinc Chrome

2C-PZC-CR FEATURES

Load Capacity Up to 275 lbs.

- Polished Zinc Chrome, Pressed Steel Housing
- Pressed Steel Double Ball Race with Hardened Main Ball Raceway Shim and Hardened Steel Balls
- Metal Brake Pedal

SWIVEL RIG OPTIONS

- TLB** Total Lock Brake
- STG** Steel Thread Guards
- H3** Hole Casters (Swivel, Rigid or Total Lock)



Swivel Caster

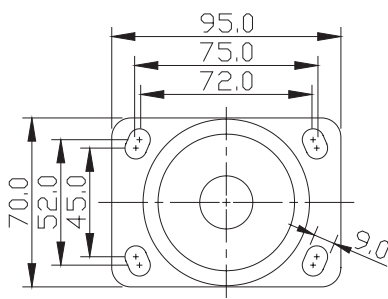


Rigid Caster

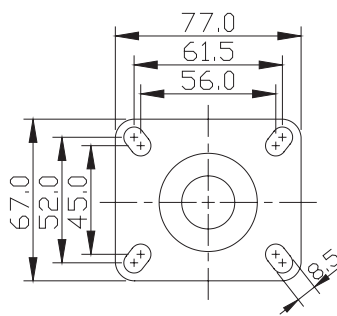


Swivel Caster with Total Lock

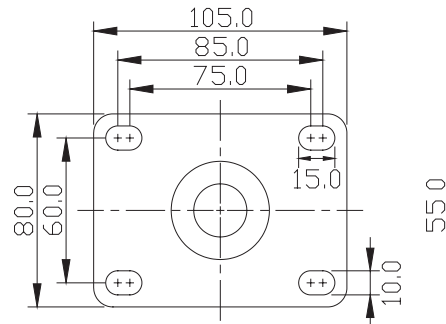
SWIVEL TOP PLATES (Dimensions are in mm. 25.4mm = 1in)



P1

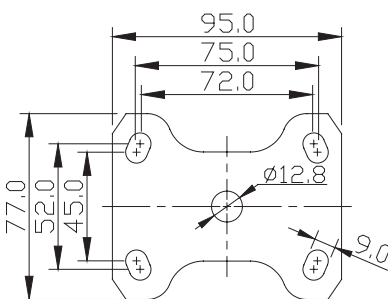


P2

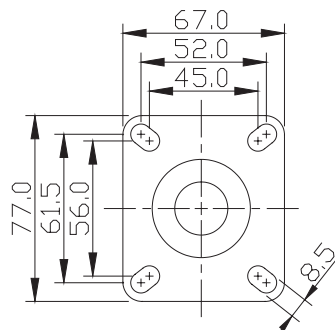


P3

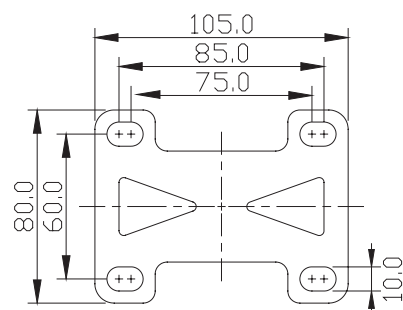
RIGID TOP PLATES (Dimensions are in mm. 25.4mm = 1in)



P1



P2



P3

2C-PZC-CR Wheels



URN Series

Tread Material:
Thermoplastic
Urethane
Pevothan®

Hub Material:
Nylon Core

Bearings:
Precision Ball

Durometer:
85+/-5 Shore A



NN Series

Tread Material:
Nylon
Pevolon®

Hub Material:
Nylon Core
Pevolon®

Bearings:
Precision Ball

Durometer:
65+/-5 Shore D



KR Series

Tread Material:
Kryptonite®

Hub Material:
Kryptonite®

Bearings:
Precision Ball

Durometer:
55+/-5 Shore D



PW Series

Tread Material:
Polyolefin
White

Hub Material:
Polyolefin
White

Bearings:
Precision Ball

Durometer:
60+/-5 Shore D



AN Series

Tread Material:
Advanced Rubber
Donut Tread

Hub Material:
Polyolefin
Gray

Bearings:
Precision Ball

Durometer:
60+/-5 Shore A

2C-PZC-CR Polished Zinc Chrome

GRIP RING STEM OPTIONS (GR)

Stem Code	Stem Dimensions
GR1	3/4" diameter x 2-3/16" long
GR2	13/16" diameter x 2-3/16" long
GR3	.845" diameter x 2-3/16" long
GR4	.865" diameter x 2-3/16" long
GR5	1" diameter x 2-3/16" long
GR6	.860" square x 2-3/16" long

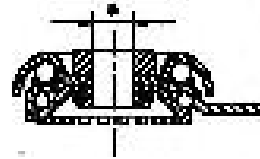
EXPANDING ADAPTER STEMS (ES)

Adapter #	Tubing ID	Adapter #	Tubing ID
ES9	3/4"	ES17B	1-3/16"
ES11	7/8"	ES19C	1-3/8"
ES13	1"	ES19A	1-1/2"
ES15	1-1/8"	ES21	1-7/8"

Rubber bushing expands inside of tubing as 3/4" nut beneath lower raceway is turned with wrench. Plastic bushing on bottom of stem provides stability for stem inside of tubing for tight, permanent fit. Threaded stem size (less adapter): 1/2" dia. x 2-3/4" long. To order, add adapter number to end of model #.

THREADED STEM OPTIONS (TS)

Stem Code	Stem Dimensions
TS1	1/2"-13 x 3/4" long
TS2	1/2"-13 x 1" long
TS3	1/2"-13 x 1-1/2" long
TS4	1/2"-20 x 3/4" long
TS5	1/2"-20 x 2-1/4" long
TS6	5/8"-11 x 1-1/4" long
TS7	5/8"- 18 x 1-3/4" long
TS8	3/4"- 10 x 1" long



Hole Type

2C-PZC-CR HOLLOW KINGPIN (H3)

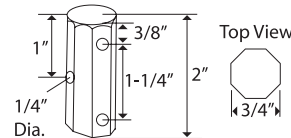
Mounting Options: H3

Diameter: 12.8 mm.

Bolt Size: 1/2"

PIPE THREAD STEM OPTIONS (PS)

Stem Code	Stem Dimensions
PS1	1/2" Pipe Thread (3/4" actual stem dia.)
PS2	3/4" Pipe Thread (1" actual stem dia.)
PS3	1" Pipe Thread (1-1/4" actual stem dia.)
PS4	1-1/4" Pipe Thread (1-1/2" actual stem dia.)



2C-PZC-CR OCTAGON STEM (OC)

Standard Octagon Stem Size: OC

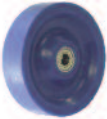






3/4" octagon 2" long with 3 cross-drilled mounting holes.

2C-PZC-CR Wheels

	Series	Tread Material	Hub Material	Bearings	Durometer
	ERN	Gray Elastic Rubber	Nylon Core	Precision Cone Bearings	80+/-5 Shore A
	ERB	Gray Elastic Rubber	Polyolefin Core	Precision Cone Bearings	80+/-5 Shore A
	ERS	Gray Elastic Rubber	Pressed Steel Core	Precision Cone Bearings	80+/-5 Shore A
	TRB	Gray Thermoplastic Rubber	Polyolefin Core	Precision Ball Bearings	80+/-5 Shore A
	TUN	Gray Thermoplastic Urethane	Nylon Core	Precision Cone Bearings	80+/-5 Shore A
	TUB	Gray Thermoplastic Urethane	Polyolefin Core	Precision Ball Bearings	80+/-5 Shore A
	URN	Thermoplastic Urethane Pevothan®	Nylon Core	Precision Ball Bearings	85+/-5 Shore A
	NN	Nylon Pevolon®	Nylon Pevolon®	Precision Ball Bearings	65+/-5 Shore D
	KR	Kryptonite®	Kryptonite®	Precision Ball Bearings	55+/-5 Shore D
	PW	Polyolefin White	Polyolefin White	Precision Ball Bearings	60+/-5 Shore D
	AN	Advanced Rubber Donut Tread	Polyolefin Gray	Precision Ball Bearings	65+/-5 Shore A

2C-PZC-CR Plate Type*

2C-PZC-CR CASTER SPECIFICATIONS (PLATE TYPE*)

Wheel Type (Wheel Code)	Diameter (in.)	Width (mm.)	Capacity (lbs.)	OAH (mm.)	Swivel Lead (mm.)	Swivel Part Number Add 27, 28, R or 41**
KRYPTONIC™ (KR) WITH PRECISION BALL BEARINGS (28)						
	3	30	130	107	33	2C-PZC-CR-CR-P1*-KR-03028-S
	4	30	175	135	40.5	2C-PZC-CR-P1*-KR-04028-S
	5	30	220	161	39	2C-PZC-CR-P1*-KR-05028-S
THERMOPLASTIC URETHANE (TUN) NYLON CORE OR (TUB) POLYOLEFIN CORE WITH PRECISION BALL BEARINGS (28)						
	3	32	110	107	33	2C-PZC-CR-P1*-TUB-03028-S
	4	32	175	135	40.5	2C-PZC-CR-P1*-TUN-04028-S
	5	32	220	161	39.5	2C-PZC-CR-P1*-TUN-05028-S
	6	32	240	189.5	50	2C-PZC-CR-P1*-TUN-06028-S
URETHANE TREAD (URN) ON NYLON CORE WITH PRECISION BALL BEARINGS (28)						
	3	25	130	107	33	2C-PZC-CR-P1*-URN-03028-S
	4	28	220	135	40.5	2C-PZC-CR-P1*-URN-04028-S
	5	28	275	161	39	2C-PZC-CR-P1*-URN-05028-S
ELASTIC RUBBER (ERB) ON PRESS STEEL HUB WITH METAL THREAD GARDS AND PRECISION BALL BEARINGS (28)						
	4	32	175	135	40.5	2C-PZC-CR-P1*-ERB-04028-S
	5	32	220	161	39	2C-PZC-CR-P1*-ERB-05028-S
	6	32	245	167	45	2C-PZC-CR-P1*-ERB-06028-S
THERMOPLASTIC RUBBER (TPR) ON POLYOLEFIN CORE WITH PLASTIC THREAD GARDS AND PRECISION BALL BEARINGS (28)						
	3	30	130	107	33	2C-PZC-CR-P1*-TPR-03028-S
	4	30	175	135	40.5	2C-PZC-CR-P1*-TPR-04028-S
	5	30	220	161	39	2C-PZC-CR-P1*-TPR-05028-S
	6	30	245	167	45	2C-PZC-CR-P1*-TPR-06028-S
ADVANCED GREY RUBBER (AN) ON POLYOLEFIN CORE WITH DONUT TREADS AND PRECISION BALL BEARINGS (28)						
	3	32	130	107	33	2C-PZC-CR-P1*-AN-03028-S
	4	32	175	135	40.5	2C-PZC-CR-P1*-AN-04028-S
	5	32	220	161	39	2C-PZC-CR-P1*-AN-05028-S
	6	32	245	167	45	2C-PZC-CR-P1*-AN-06028-S
WHITE POLYOLEFIN (PW) SOLID WHITE POLYOLEFIN WITH PRECISION BALL BEARINGS (28)						
	3	32	130	107	33	2C-PZC-CR-P1*-PW-03028-S
	4	32	175	135	40.5	2C-PZC-CR-P1*-PW-04028-S
	5	32	220	161	39	2C-PZC-CR-P1*-PW-05028-S
	6	32	245	167	45	2C-PZC-CR-P1*-PW-06028-S

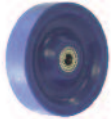






WHEEL TYPES

All wheels are available with Precision Ball Bearings, Delrin Bushings and Roller Bearings.

- Advantage TPR Round (AR)
- Advantage TPR Flat (AF)
- Advantage Heat Round (AHR)
- Advantage Heat Flat (AHF)
- Advantage Health Antimicrobial (PREV)
- Heateater, Hi-Temp Nylon (HE)
- Hi-Temp Resin (NHT)
- Kryptononic™, Blue (KR)
- Kryptononic™, Gray (KRG)
- Kryptononic™, Black (KRB)
- Nylacron™ (NY/MD)
- Nylacron™ Monocast (NY/MC)
- Nylon, White (NN)
- Polyurethane Welded Disc, Blue (PWDB)
- Polyolefin, Black (PB)
- Polyolefin, White (PW)
- Phenolic (TM)
- Phenolic, High Temp (TR)
- PolyLoc, Blue (PLB)
- PolyLoc, Gray (PLG)
- Retort (RT)
- Rubber, Conductive (CSR)
- Rubber, Cushion (CR)
- Rubber, Hard (HR)
- Rubber, Soft (SR)
- Rubber, Extra Soft Flat Tread (XSF)
- Rubber, Extra Soft Round Tread (XSR)
- Urethane on Nylon (URN)

2C-PZC-CR Stem Type*

2C-PZC CASTER SPECIFICATIONS (STEM TYPE*)

Wheel Type (Wheel Code)	Diameter (in.)	Width (mm.)	Capacity (lbs.)	OAH (mm.)	Swivel Lead (mm.)	Swivel Part Number Add 27, 28, R or 41**
KRYPTONIC™ (KR) WITH PRECISION BALL BEARINGS (28)						
	3	30	130	107	33	2C-PZC-CR-TS1*-KR-03028-S
	4	30	175	135	40.5	2C-PZC-CR-TS1*-KR-04028-S
	5	30	220	161	39	2C-PZC-CR-TS1*-KR-05028-S
THERMOPLASTIC URETHANE (TUN) NYLON CORE OR (TUB) POLYOLEFIN CORE WITH PRECISION BALL BEARINGS (28)						
	3	32	110	107	33	2C-PZC-CR-TS1*-TUB-03028-S
	4	32	175	135	40.5	2C-PZC-CR-TS1*-TUN-04028-S
	5	32	220	161	39.5	2C-PZC-CR-TS1*-TUN-05028-S
	6	32	240	189.5	50	2C-PZC-CR-TS1*-TUN-06028-S
URETHANE TREAD (URN) ON NYLON CORE WITH PRECISION BALL BEARINGS (28)						
	3	25	130	107	33	2C-PZC-CR-TS1*-URN-03028-S
	4	28	220	135	40.5	2C-PZC-CR-TS1*-URN-04028-S
	5	28	275	161	39	2C-PZC-CR-TS1*-URN-05028-S
ELASTIC RUBBER (ERB) ON PRESS STEEL HUB WITH METAL THREAD GARDS AND PRECISION BALL BEARINGS (28)						
	4	32	175	135	40.5	2C-PZC-CR-TS1*-ERB-04028-S
	5	32	220	161	39	2C-PZC-CR-TS1*-ERB-05028-S
	6	32	245	167	45	2C-PZC-CR-TS1*-ERB-06028-S
THERMOPLASTIC RUBBER (TPR) ON POLYOLEFIN CORE WITH PLASTIC THREAD GARDS AND PRECISION BALL BEARINGS (28)						
	3	30	130	107	33	2C-PZC-CR-TS1*-TPR-03028-S
	4	30	175	135	40.5	2C-PZC-CR-TS1*-TPR-04028-S
	5	30	220	161	39	2C-PZC-CR-TS1*-TPR-05028-S
	6	30	245	167	45	2C-PZC-CR-TS1*-TPR-06028-S
ADVANCED GREY RUBBER (AN) ON POLYOLEFIN CORE WITH DONUT TREADS AND PRECISION BALL BEARINGS (28)						
	3	32	130	107	33	2C-PZC-CR-TS1*-AN-03028-S
	4	32	175	135	40.5	2C-PZC-CR-TS1*-AN-04028-S
	5	32	220	161	39	2C-PZC-CR-TS1*-AN-05028-S
	6	32	245	167	45	2C-PZC-CR-TS1*-AN-06028-S
WHITE POLYOLEFIN (PW) SOLID WHITE POLYOLEFIN WITH PRECISION BALL BEARINGS (28)						
	3	32	130	107	33	2C-PZC-CR-TS1*-PW-03028-S
	4	32	175	135	40.5	2C-PZC-CR-TS1*-PW-04028-S
	5	32	220	161	39	2C-PZC-CR-TS1*-PW-05028-S
	6	32	245	167	45	2C-PZC-CR-TS1*-PW-06028-S

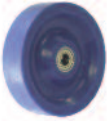






WHEEL TYPES

All wheels are available with Precision Ball Bearings, Delrin Bushings and Roller Bearings.

- Advantage TPR Round (AR)
- Advantage TPR Flat (AF)
- Advantage Heat Round (AHR)
- Advantage Heat Flat (AHF)
- Advantage Health Antimicrobial (PREV)
- Heateater, Hi-Temp Nylon (HE)
- Hi-Temp Resin (NHT)
- Kryptonite™, Blue (KR)
- Kryptonite™, Gray (KRG)
- Kryptonite™, Black (KRB)
- Nylacron™ (NY/MD)
- Nylacron™ Monocast (NY/MC)
- Nylon, White (NN)
- Polyurethane Welded Disc, Blue (PWDB)
- Polyolefin, Black (PB)
- Polyolefin, White (PW)
- Phenolic (TM)
- Phenolic, High Temp (TR)
- PolyLoc, Blue (PLB)
- PolyLoc, Gray (PLG)
- Retort (RT)
- Rubber, Conductive (CSR)
- Rubber, Cushion (CR)
- Rubber, Hard (HR)
- Rubber, Soft (SR)
- Rubber, Extra Soft Flat Tread (XSF)
- Rubber, Extra Soft Round Tread (XSR)
- Urethane on Nylon (URN)

2C-PZC-CR Hole Type H3

02C-PZC CASTER SPECIFICATIONS (HOLE TYPE H3)

Wheel Type (Wheel Code)	Diameter (in.)	Width (mm.)	Capacity (lbs.)	OAH (mm.)	Swivel Lead (mm.)	Swivel Part Number Add 27, 28, R or 41**
KRYPTONIC™ (KR) WITH PRECISION BALL BEARINGS (28)						
	3	30	130	107	33	2C-PZC-CR-H3-KR-03028-S
	4	30	175	135	40.5	2C-PZC-CR-H3-KR-04028-S
	5	30	220	161	39	2C-PZC-CR-H3-KR-05028-S
THERMOPLASTIC URETHANE (TUN) NYLON CORE OR (TUB) POLYOLEFIN CORE WITH PRECISION BALL BEARINGS (28)						
	3	32	110	107	33	2C-PZC-CR-H3-TUB-03028-S
	4	32	175	135	40.5	2C-PZC-CR-H3-TUN-04028-S
	5	32	220	161	39.5	2C-PZC-CR-H3-TUN-05028-S
	6	32	240	189.5	50	2C-PZC-CR-H3-TUN-06028-S
URETHANE TREAD (URN) ON NYLON CORE WITH PRECISION BALL BEARINGS (28)						
	3	25	130	107	33	2C-PZC-CR-H3-URN-03028-S
	4	28	220	135	40.5	2C-PZC-CR-H3-URN-04028-S
	5	28	275	161	39	2C-PZC-CR-H3-URN-05028-S
ELASTIC RUBBER (ERB) ON PRESS STEEL HUB WITH METAL THREAD GARDS AND PRECISION BALL BEARINGS (28)						
	4	32	175	135	40.5	2C-PZC-CR-H3-ERB-04028-S
	5	32	220	161	39	2C-PZC-CR-H3-ERB-05028-S
	6	32	245	167	45	2C-PZC-CR-H3-ERB-06028-S
THERMOPLASTIC RUBBER (TPR) ON POLYOLEFIN CORE WITH PLASTIC THREAD GARDS AND PRECISION BALL BEARINGS (28)						
	3	30	130	107	33	2C-PZC-CR-H3-TPR-03028-S
	4	30	175	135	40.5	2C-PZC-CR-H3-TPR-04028-S
	5	30	220	161	39	2C-PZC-CR-H3-TPR-05028-S
	6	30	245	167	45	2C-PZC-CR-H3-TPR-06028-S
ADVANCED GREY RUBBER (AN) ON POLYOLEFIN CORE WITH DONUT TREADS AND PRECISION BALL BEARINGS (28)						
	3	32	130	107	33	2C-PZC-CR-H3-AN-03028-S
	4	32	175	135	40.5	2C-PZC-CR-H3-AN-04028-S
	5	32	220	161	39	2C-PZC-CR-H3-AN-05028-S
	6	32	245	167	45	2C-PZC-CR-H3-AN-06028-S
WHITE POLYOLEFIN (PW) SOLID WHITE POLYOLEFIN WITH PRECISION BALL BEARINGS (28)						
	3	32	130	107	33	2C-PZC-CR-H3-PW-03028-S
	4	32	175	135	40.5	2C-PZC-CR-H3-PW-04028-S
	5	32	220	161	39	2C-PZC-CR-H3-PW-05028-S
	6	32	245	167	45	2C-PZC-CR-H3-PW-06028-S

WHEEL TYPES

All wheels are available with Precision Ball Bearings, Delrin Bushings and Roller Bearings.

- Advantage TPR Round (AR)
- Advantage TPR Flat (AF)
- Advantage Heat Round (AHR)
- Advantage Heat Flat (AHF)
- Advantage Health Antimicrobial (PREV)
- Heateater, Hi-Temp Nylon (HE)
- Hi-Temp Resin (NHT)
- Kryptononic™, Blue (KR)
- Kryptononic™, Gray (KRG)
- Kryptononic™, Black (KRB)
- Nylacron™ (NY/MD)
- Nylacron™ Monocast (NY/MC)
- Nylon, White (NN)
- Polyurethane Welded Disc, Blue (PWDB)
- Polyolefin, Black (PB)
- Polyolefin, White (PW)
- Phenolic (TM)
- Phenolic, High Temp (TR)
- PolyLoc, Blue (PLB)
- PolyLoc, Gray (PLG)
- Retort (RT)
- Rubber, Conductive (CSR)
- Rubber, Cushion (CR)
- Rubber, Hard (HR)
- Rubber, Soft (SR)
- Rubber, Extra Soft Flat Tread (XSF)
- Rubber, Extra Soft Round Tread (XSR)
- Urethane on Nylon (URN)