

# SERIES

## Dual Wheel Piano Casters

Load Capacity: 160 to 230 lbs.

### Quality Features

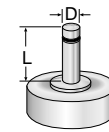
- FOUR-SIDED, DOUBLE BALL RACEWAY.**  
 Hardened steel ball bearings touch upper and lower swivel raceway "on all four sides." This protects the pin from shock loading for free swiveling under heavy loads.
- HEAT-TREATED MOVING PARTS.**  
 All moving parts are hardened to a precise molecular depth and Rockwell hardness. This extends caster life under rugged conditions and shock loads.
- RACEWAY DUST CAP.**  
 Dust cap protects the raceway from contamination by dust, dirt, moisture and other environmental debris. While standard on 50 series casters, these are usually not available on most competitive brands.
- LOW OVERALL HEIGHT.**  
 Heavy pianos are supported by two wheels that roll independently to assure easy maneuverability on any floor surface.



**FOUR SIDED  
DOUBLE BALL BEARING  
RACEWAY- 40 SERIES**

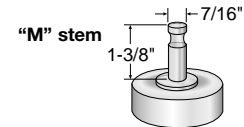
### STEMS

#### "O" STEM TABLE

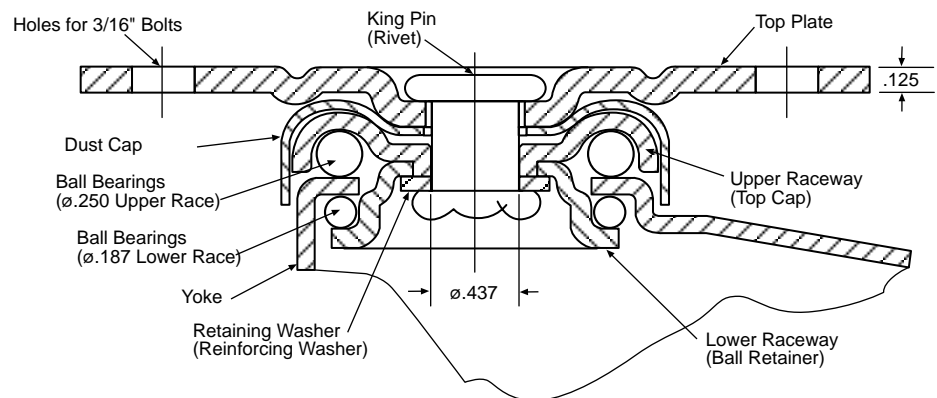


Dimension D	Dimension L	Stem Number
3/8"	1"	O40-38-1
3/8"	1-1/4"	O40-38-114
7/16"	1"	O40-716-1
7/16"	1-1/4"	O40-716-114
7/16"	1-1/2"	O40-716-112

Other stem sizes and dimensions available.



Standard piano stem to fit sockets below stem.  
 Subtract .125" from overall height for stem casters.



### NEOPRENE RUBBER

PAGE 108



### HI-CAP NEOPRENE

PAGE 110



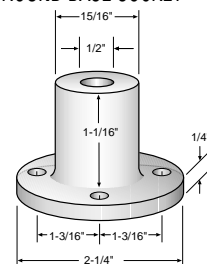
### HARD RUBBER

PAGE 112

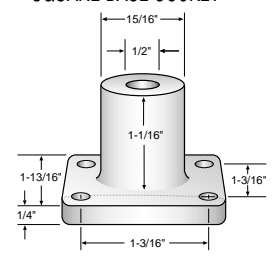


### SOCKETS

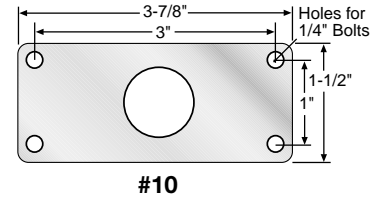
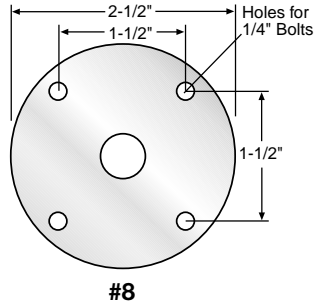
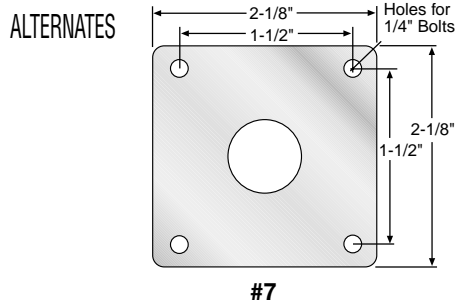
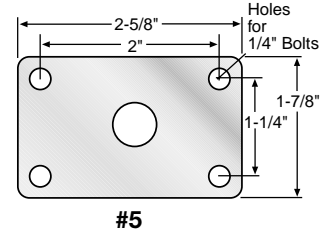
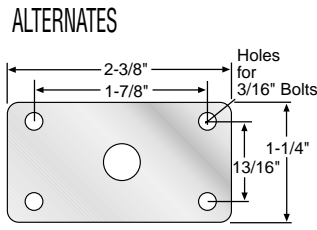
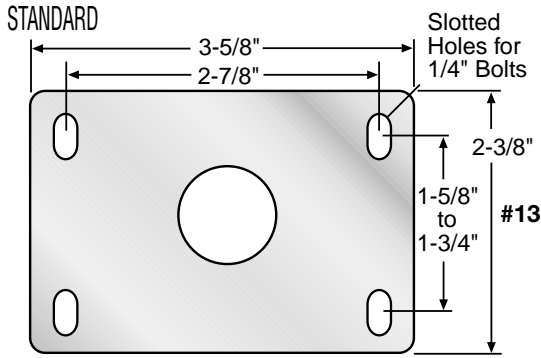
#### ROUND BASE SOCKET



#### SQUARE BASE SOCKET



# TOP PLATE



Diameter	Tread Width	Load Capacity	Wheel Material	Bearing	Swivel Part Number	Rigid Part Number	Approx. Weight	Overall Height	Swivel Radius		
<b>2</b>	<b>3/4</b>	<b>160</b>	NEOPRENE RUBBER	ACETAL	40-O-PDN	N/A	1	3	1-15/16		
				BALL	40-O-XDN	N/A					
				ACETAL	40-13-PDN	N/A					
				BALL	40-13-XDN	N/A					
		<b>200</b>	HI-CAP NEOPRENE	ACETAL	40-O-PKN	N/A					
				BALL	40-O-XKN	N/A					
				ACETAL	40-13-PKN	N/A					
				BALL	40-13-XKN	N/A					
				<b>230</b>	HARD RUBBER	ACETAL				40-O-PH	N/A
						BALL				40-O-XH	N/A
ACETAL	40-13-PH	N/A									
BALL	40-13-XH	N/A									

## Additional Single Wheel Piano Casters

7 SERIES  
WITH SOLID BRASS WHEEL



52 SERIES  
WITH BLACK OXIDE FINISH

